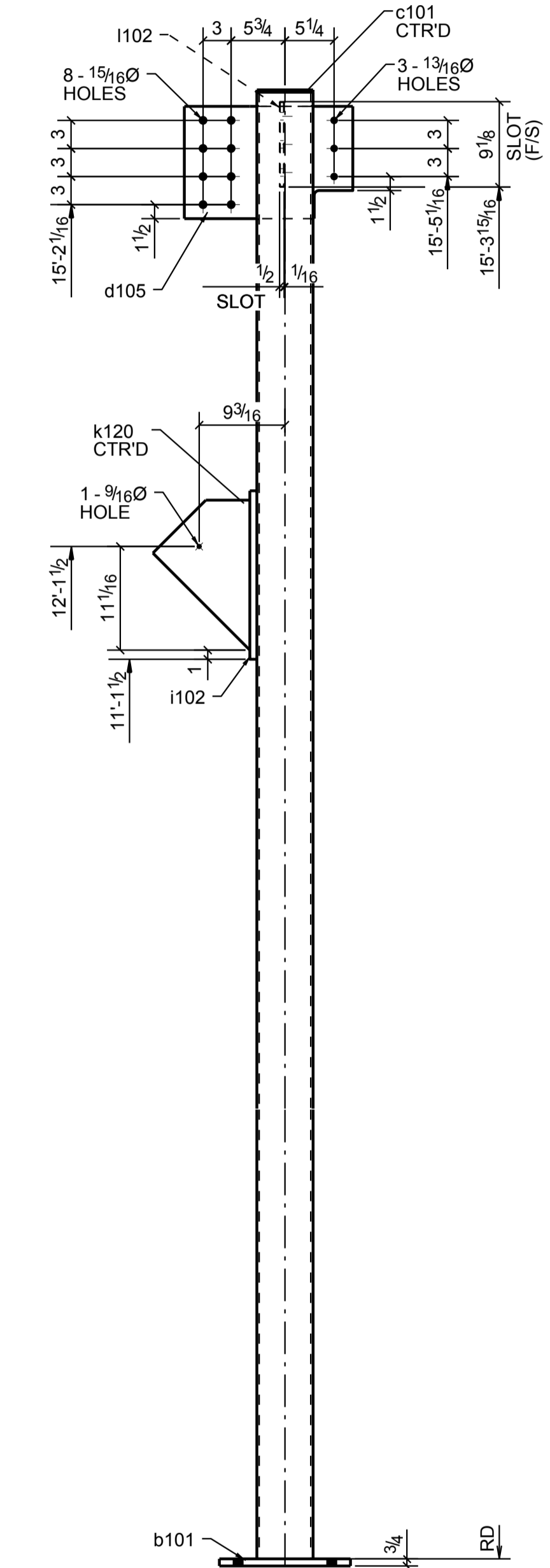
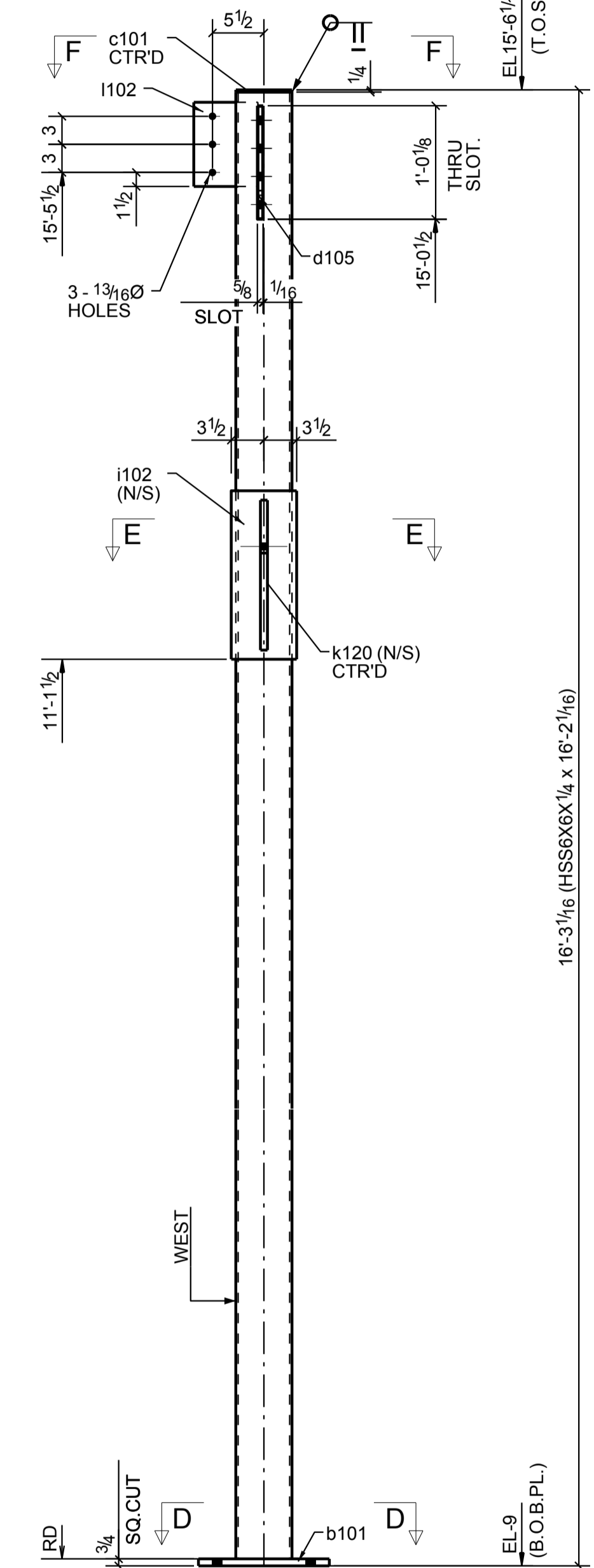
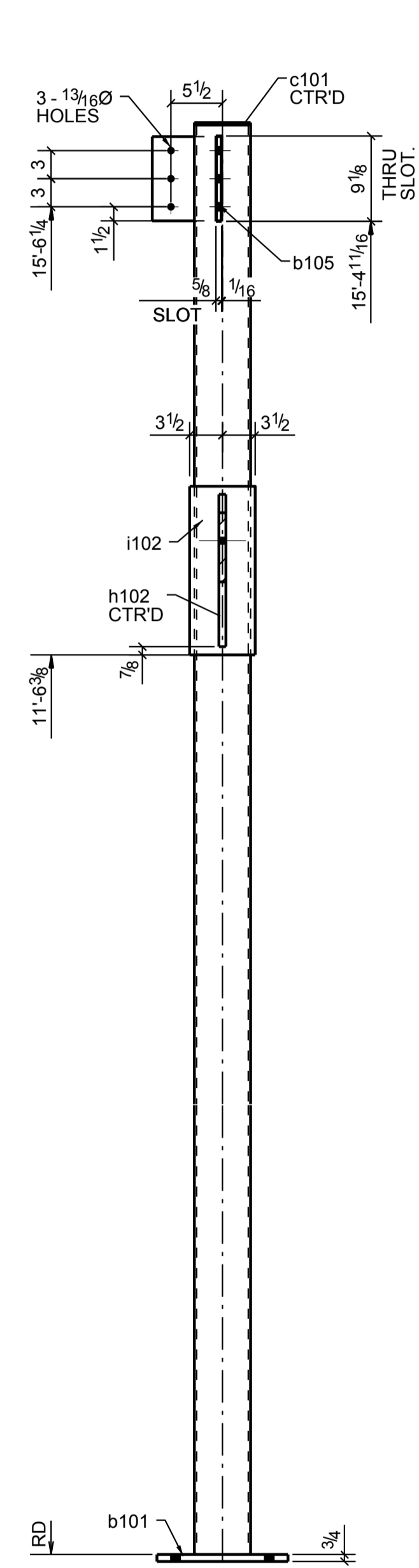
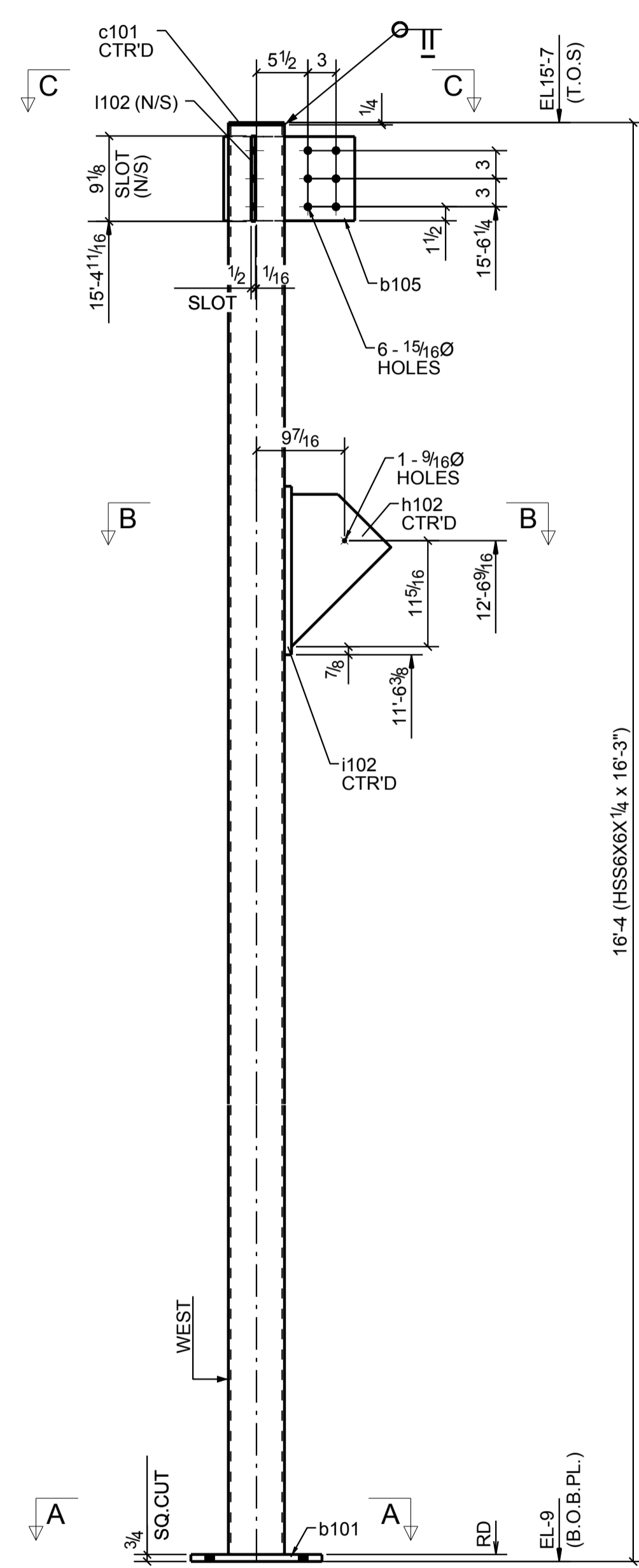
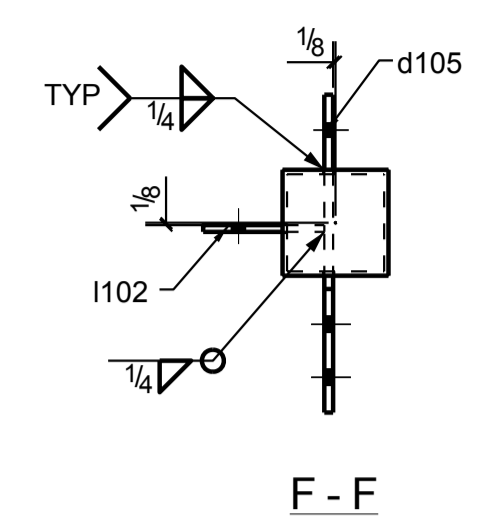
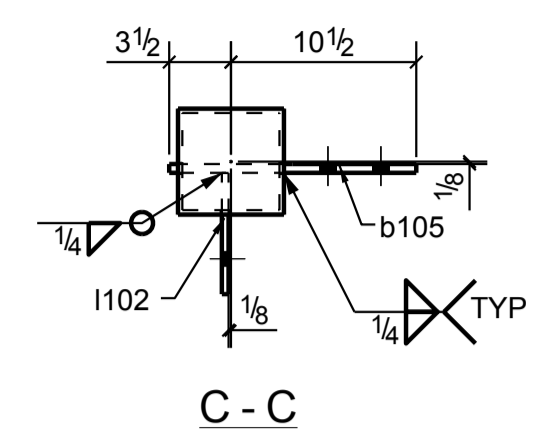
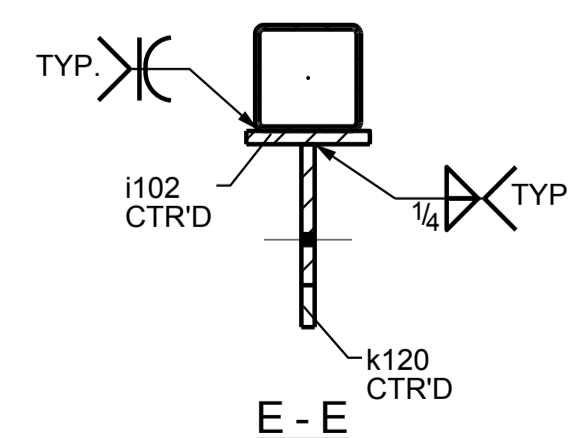
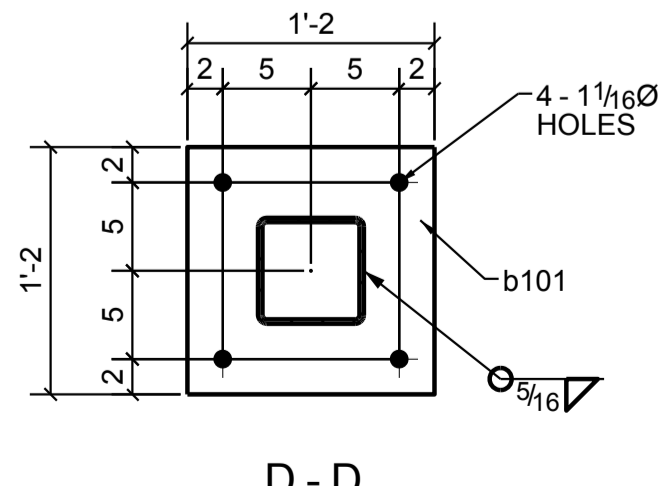
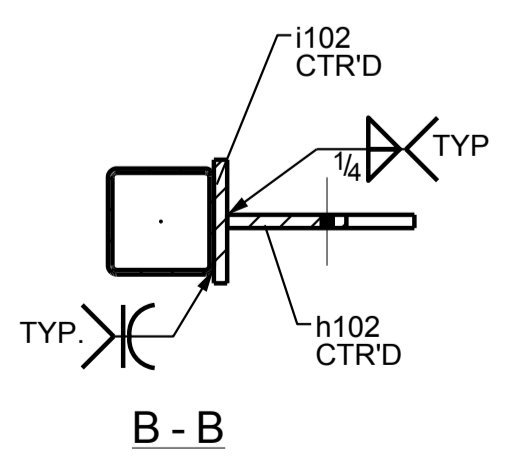
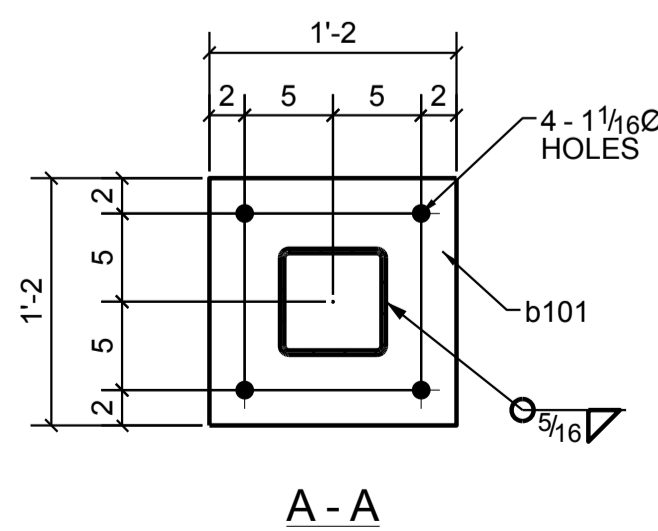


JOB No.		8662		BILL OF MATERIAL			SHEET 105	
Qty.	Unit	PC. MARK	Minor Mark	DESCRIPTION	LENGTH	STEEL GRADE	REMARKS	
1	1	105A		HSS6X6X1/4	16'-3"	A500-GR.B		
1	1		b101	PL3/4"X14"	1'-2"	A572-GR.50		
1	1		b105	FL1/2"X9"	1'-2"	A36		
1	1		c101	FL1/4"X6"	6"	A36		
1	1		h102	PL3/4"X10 5/8"	1'-4 1/4"	A36		
1	1		i102	FL3/4"X7"	1'-6"	A572-GR.50		
0	0			3/4" Ø A325N BOLT	2 1/4"			
1	1		i102	PL3/8"X6 7/8"	9"	A36		
1	1	105B		HSS6X6X1/4	16'-2 1/16"	A500-GR.B		
1	1		b101	PL3/4"X14"	1'-2"	A572-GR.50		
1	1		c101	FL1/4"X6"	6"	A36		
1	1		d105	FL1/2"X12"	1'-6"	A36		
1	1		i102	FL3/4"X7"	1'-6"	A572-GR.50		
0	0			3/4" Ø A325N BOLT	2 1/4"			
1	1		k120	PL3/4"X10 3/8"	1'-4"	A36		
1	1		i102	PL3/8"X6 7/8"	9"	A36		



ONE - COLUMN - 105A

ONE - COLUMN - 105B



ASSM. MK.	TOTAL QTY	UNIT QTY	FIELD BOLTS	LENGTH	REMARKS

SAMPLE DRAWING