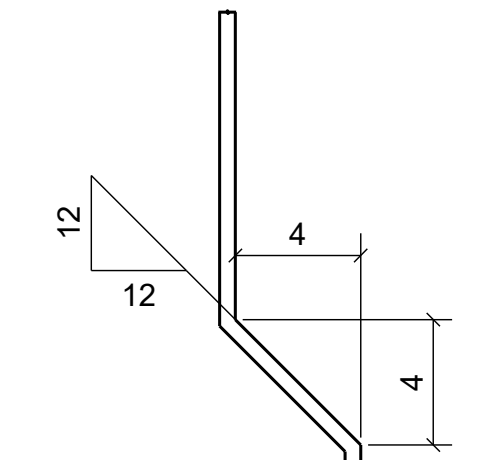
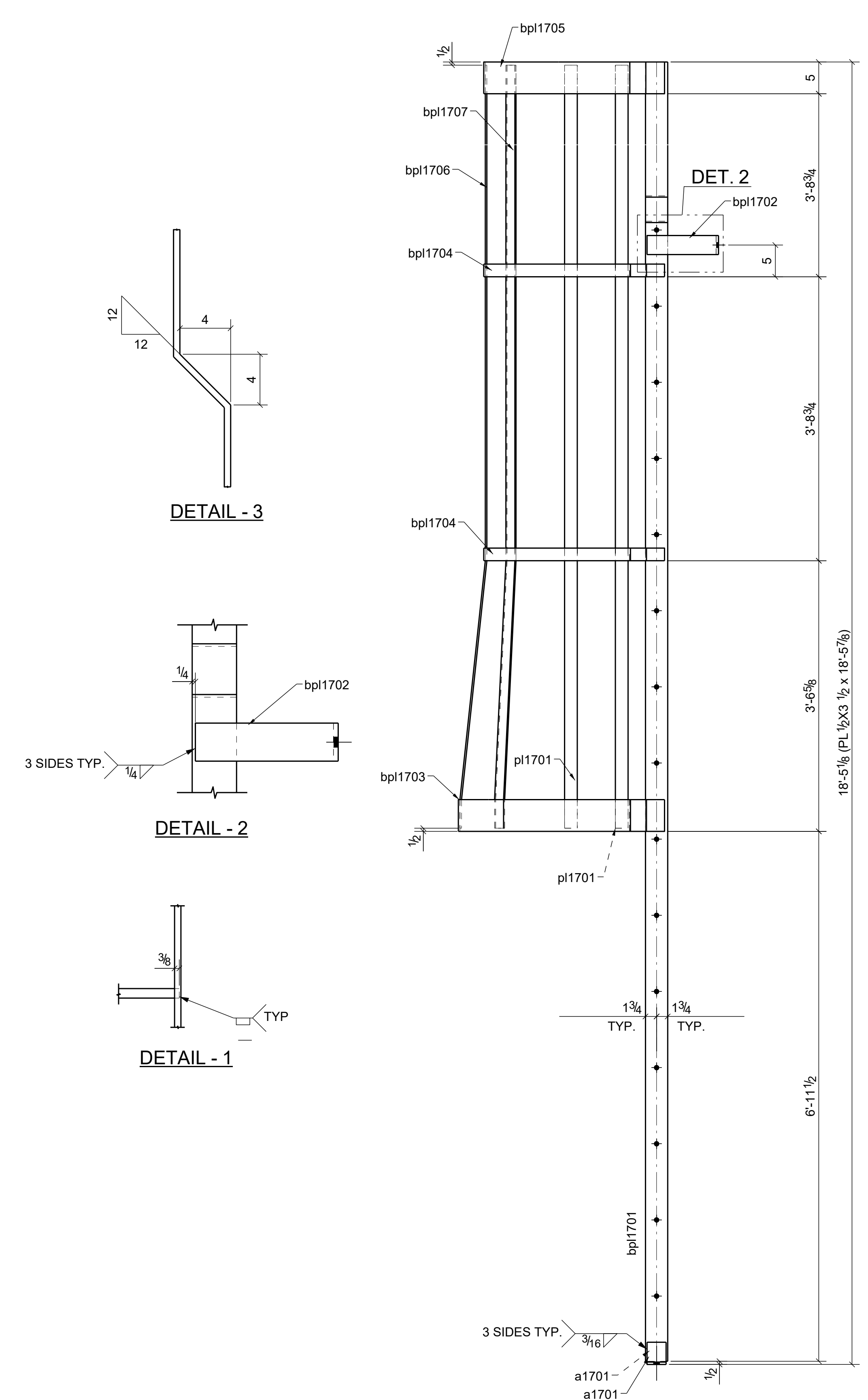
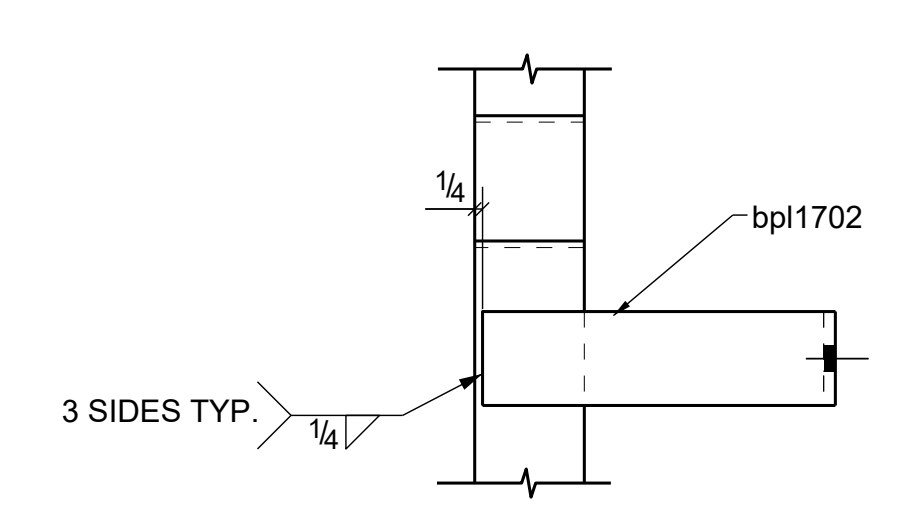


BILL OF MATERIAL

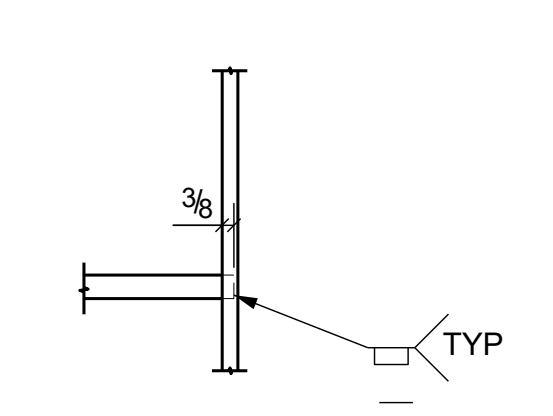
MARK	QTY	DESCRIPTION	LENGTH	WEIGHT	REMARKS
1718LD	1	CAGED LADDER			
1718LD	1	PL1/2"x3 1/2"	18'-5 7/8"	110	A36
a1701	2	L3-1/2X3-1/2X3/8	0'-3"	4	A36
bpl170	1	PL1/2"x3 1/2"	18'-5 7/8"	110	A36
bpl170	2	PL3/8"x3"	1'-2"	9	A36
bpl170	1	PL1/4"x5"	7'-1 7/16"	31	A36
bpl170	2	PL1/4"x2"	6'-5 7/16"	22	A36
bpl170	1	PL1/4"x5"	6'-0 1/8"	26	A36
bpl170	1	PL1/4"x2"	11'-4 5/16"	19	A36
bpl170	2	PL1/4"x2"	11'-4 3/16"	39	A36
pl1701	4	PL1/4"x2"	11'-4 1/8"	77	A36
rb1701	15	R003/4"	1'-4 3/4"	28	A36
TOTAL WEIGHT THIS DRAWING				476	



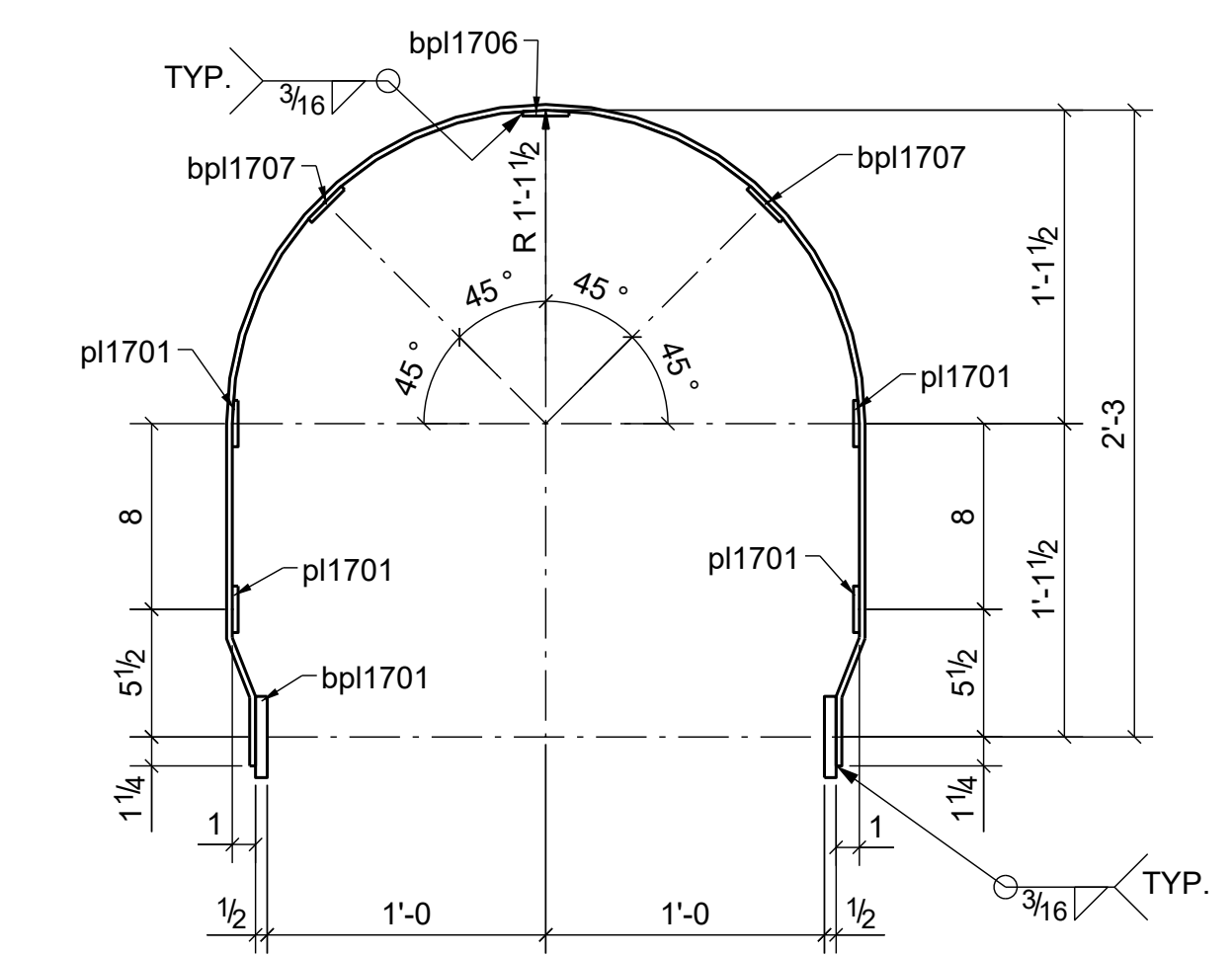
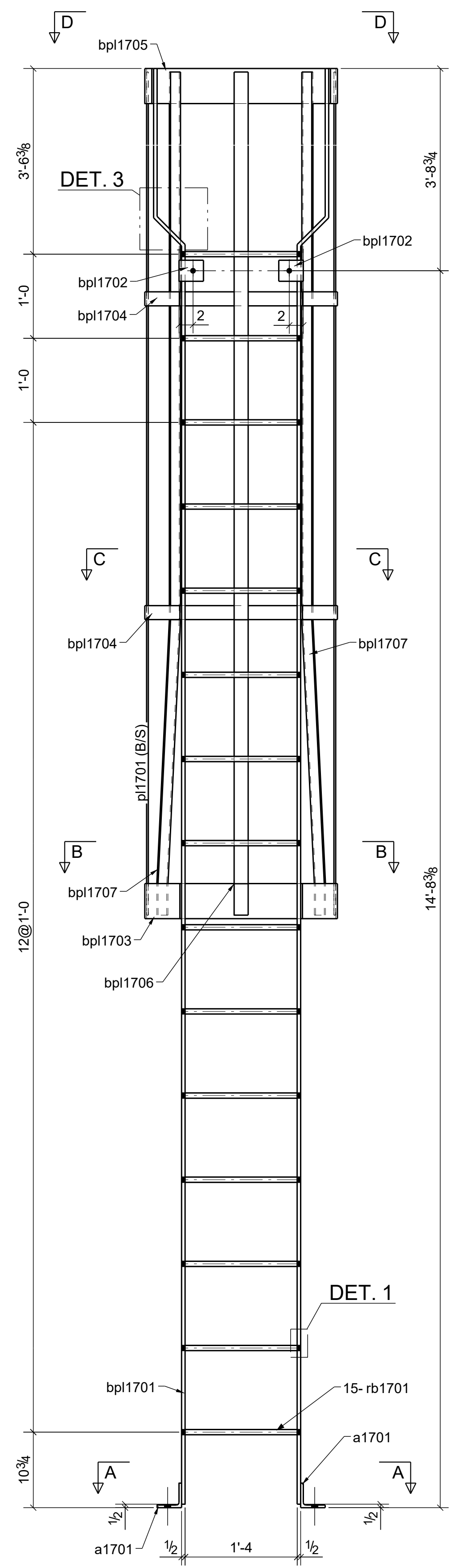
DETAIL - 3



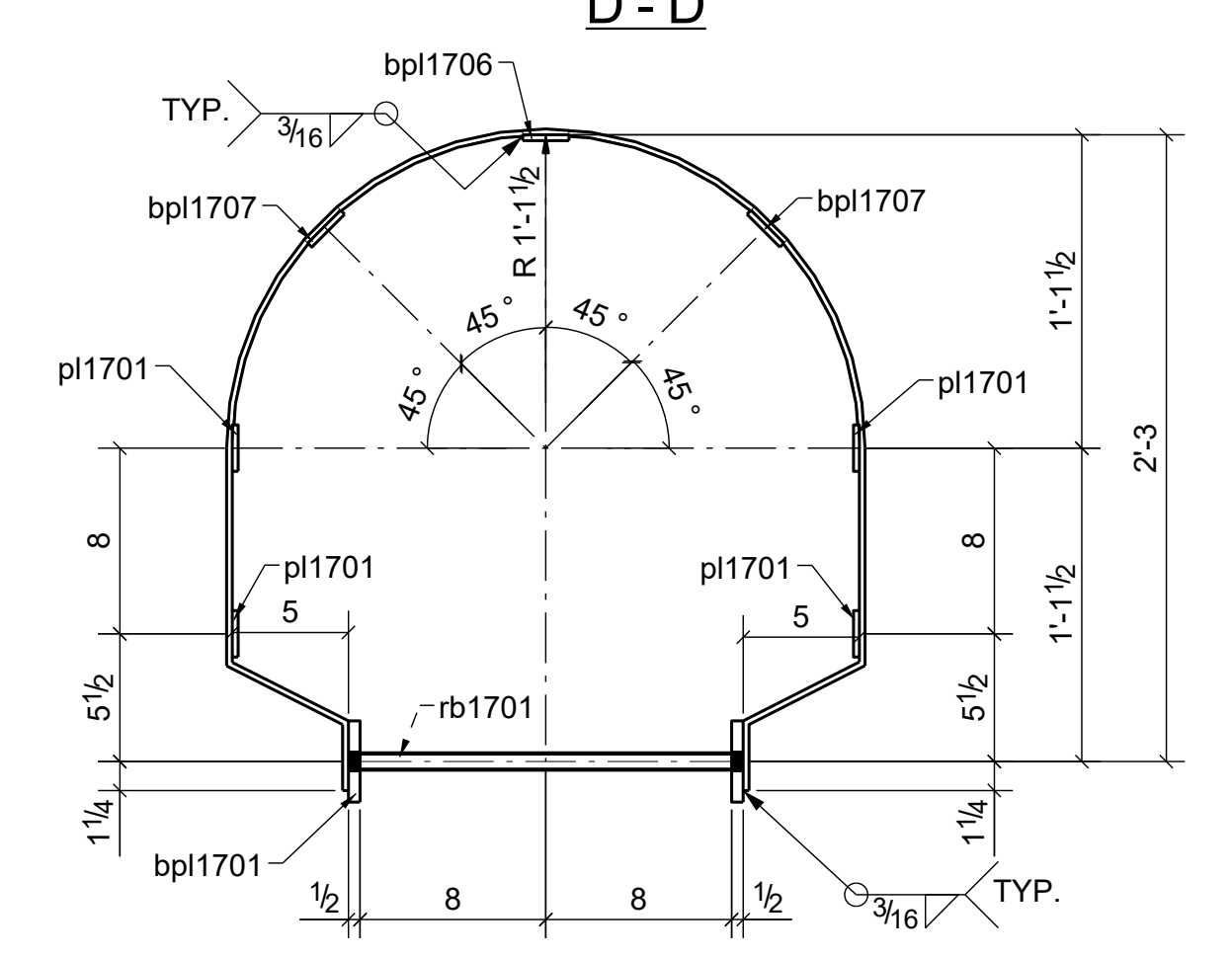
DETAIL - 2



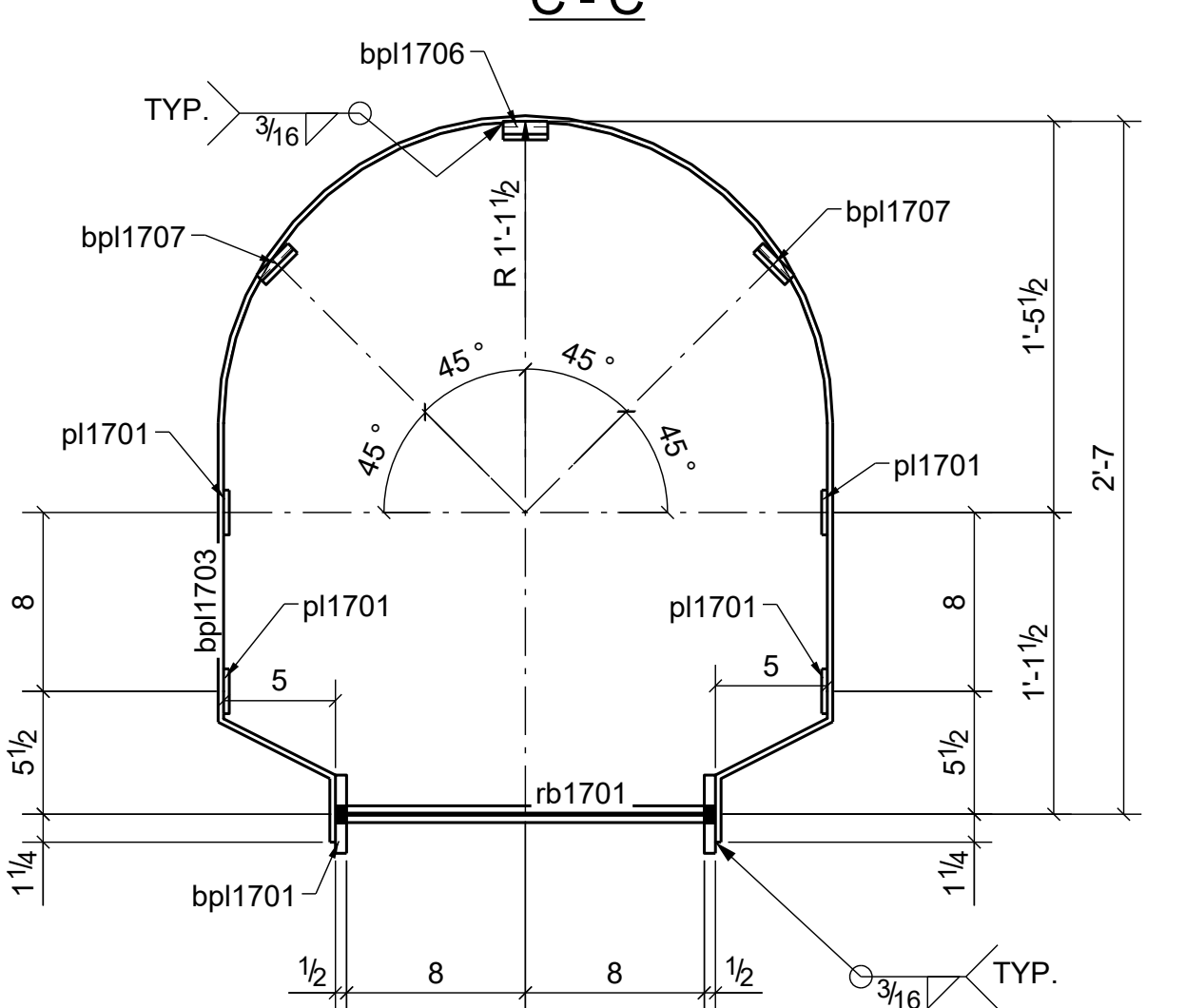
DETAIL - 1



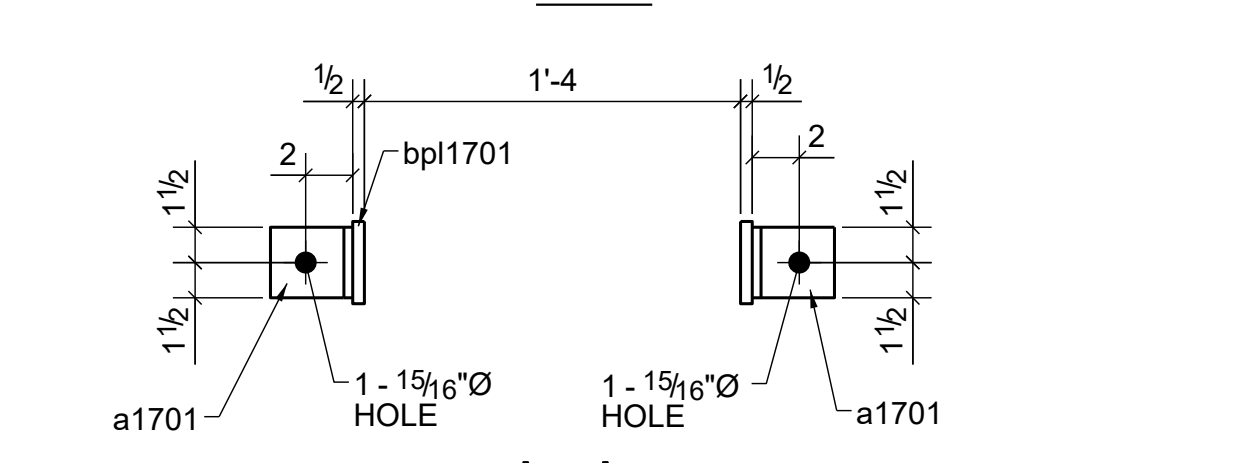
D - D



C - C



B - B



A - A