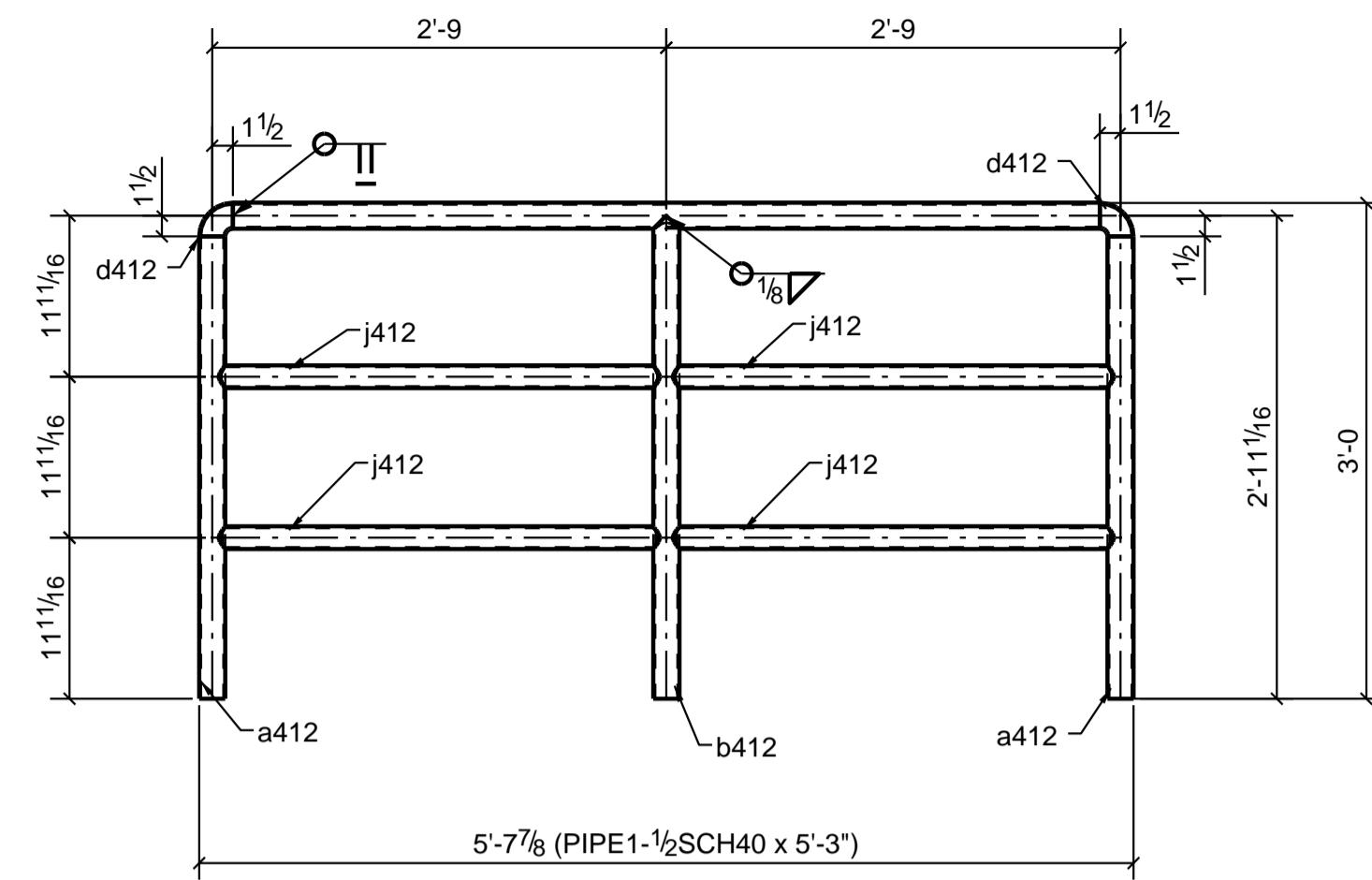
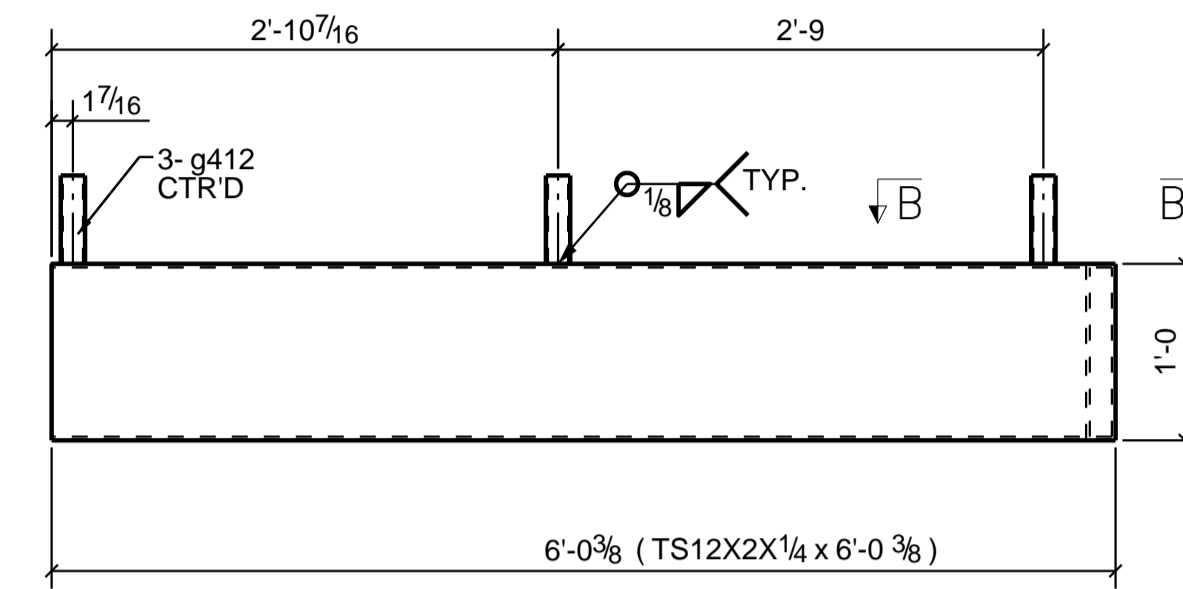


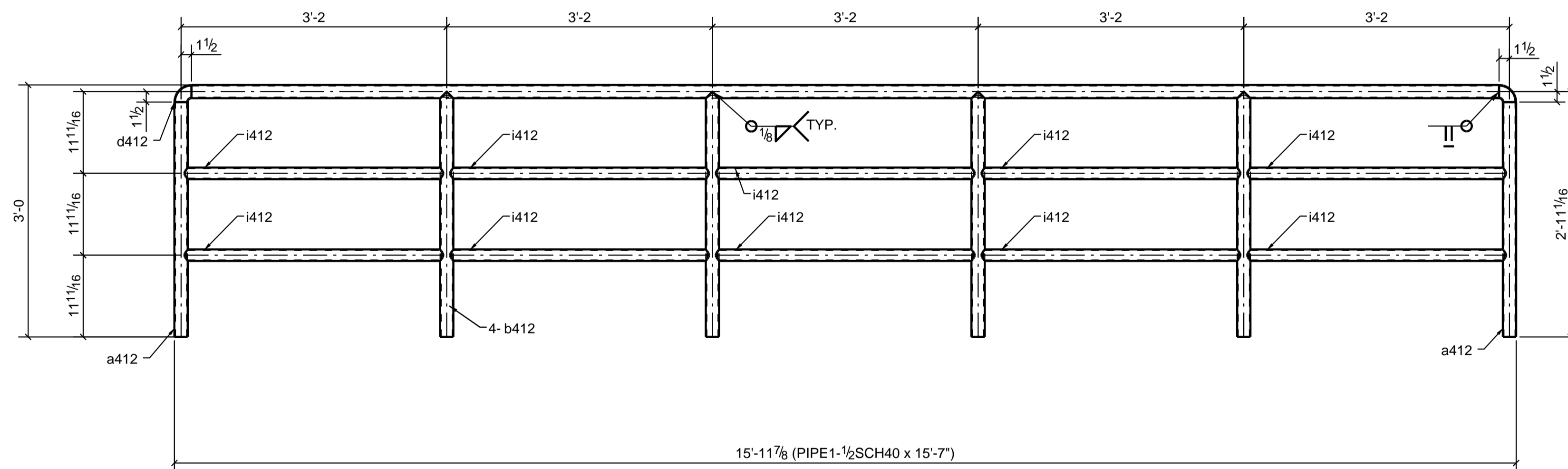
JOB No.		8572		BILL OF MATERIAL			SHEET 412	
Qty.	Qty.	PC.	Minor	DESCRIPTION	LENGTH	STEEL	REMARKS	
Unit	Total	MARK	Mark			GRADE		
1	1	412A		PIPE1-1/2SCH40	5'-3"	A53		
2	2		a412	PIPE1-1/2SCH40	2'-9 9/16"	A53		
1	1		b412	PIPE1-1/2SCH40	2'-11 1/16"	A53		
2	2		d412	PIPE1-1/2SCH40	2 3/8"	A53		
4	4		j412	PIPE1-1/4SCH40	2'-8 1/16"	A53		
1	1	412B		PIPE1-1/2SCH40	15'-7"	A53		
2	2		a412	PIPE1-1/2SCH40	2'-9 9/16"	A53		
4	4		b412	PIPE1-1/2SCH40	2'-11 1/16"	A53		
2	2		d412	PIPE1-1/2SCH40	2 3/8"	A53		
10	10		i412	PIPE1-1/4SCH40	3'-1 1/16"	A53		
1	1	412C		TS12X2X1/4	16'-4 11/16"	A500-GR.B		
6	6		g412	PIPE1-1/4SCH40	6"	A53		
1	1	412D		TS12X2X1/4	6'-0 3/8"	A500-GR.B		
3	3		g412	PIPE1-1/4SCH40	6"	A53		
1	1	412E		PIPE1-1/2SCH40	6 3/4"	A53		
2	2		a412	PIPE1-1/2SCH40	2'-9 9/16"	A53		
2	2		d412	PIPE1-1/2SCH40	2 3/8"	A53		
2	2		i412	PIPE1-1/4SCH40	8 7/8"	A53		
1	1	412F		TS12X2X1/4	1'-0 11/16"	A500-GR.B		
2	2		g412	PIPE1-1/4SCH40	6"	A53		



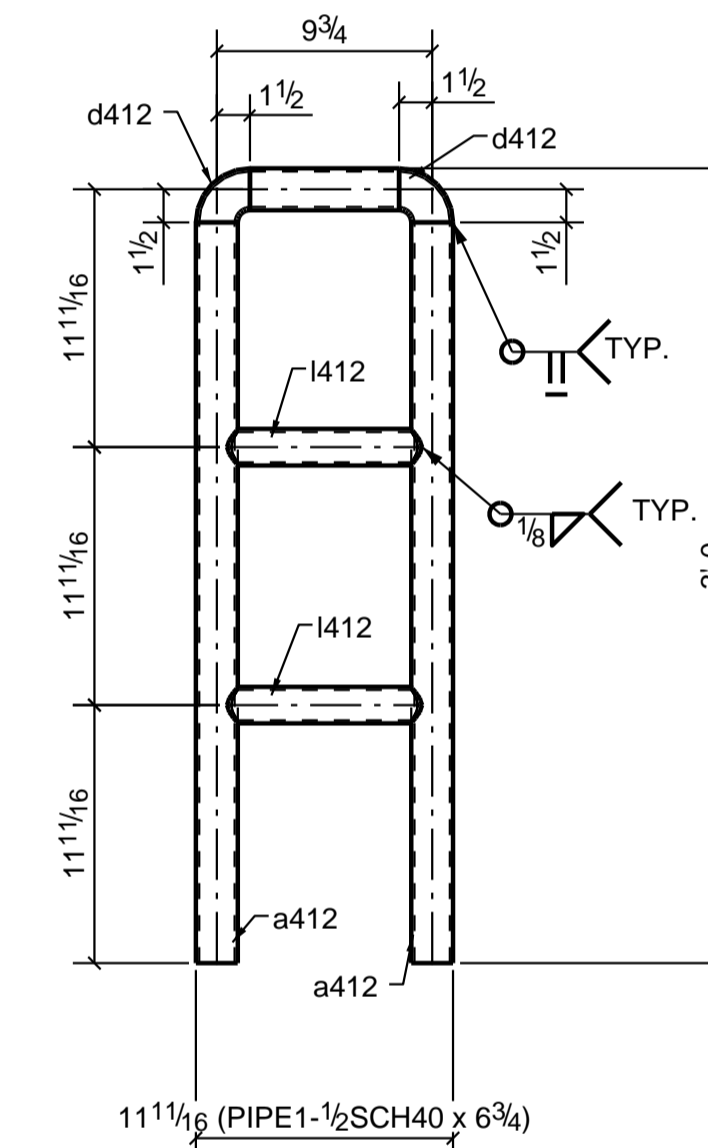
ONE - GUARDRAIL - 412A
(GALV.)



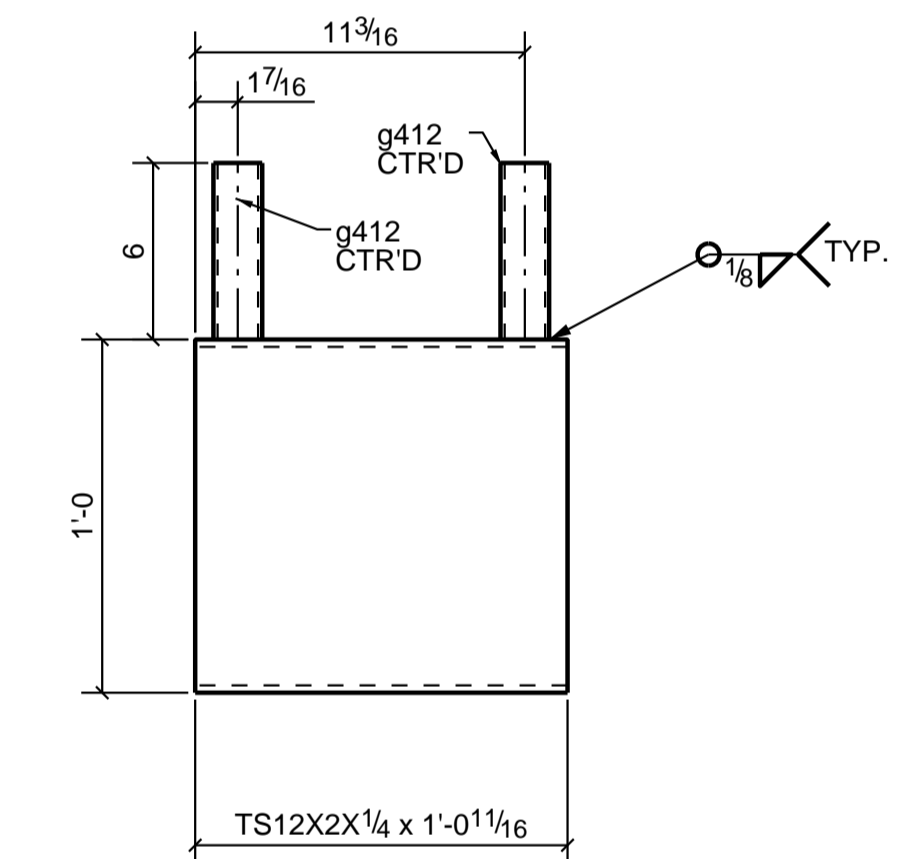
ONE - MISC - 412D



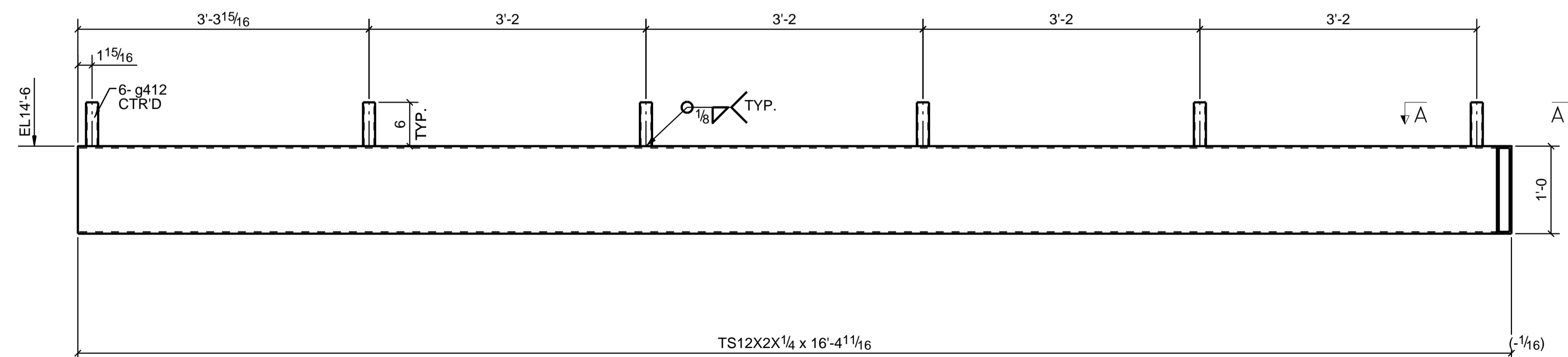
ONE - GUARDRAIL - 412B
(GALV.)



ONE - GUARDRAIL - 412E
(GALV.)



ONE - MISC - 412F



ONE - MISC - 412C

SAMPLE DRAWING