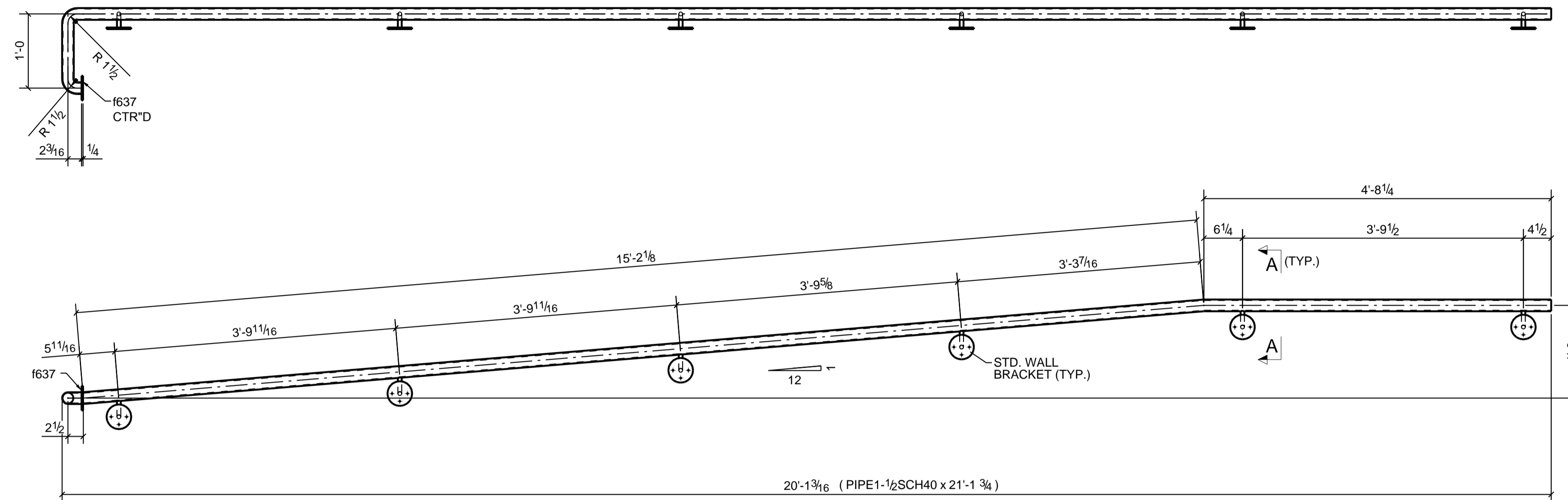
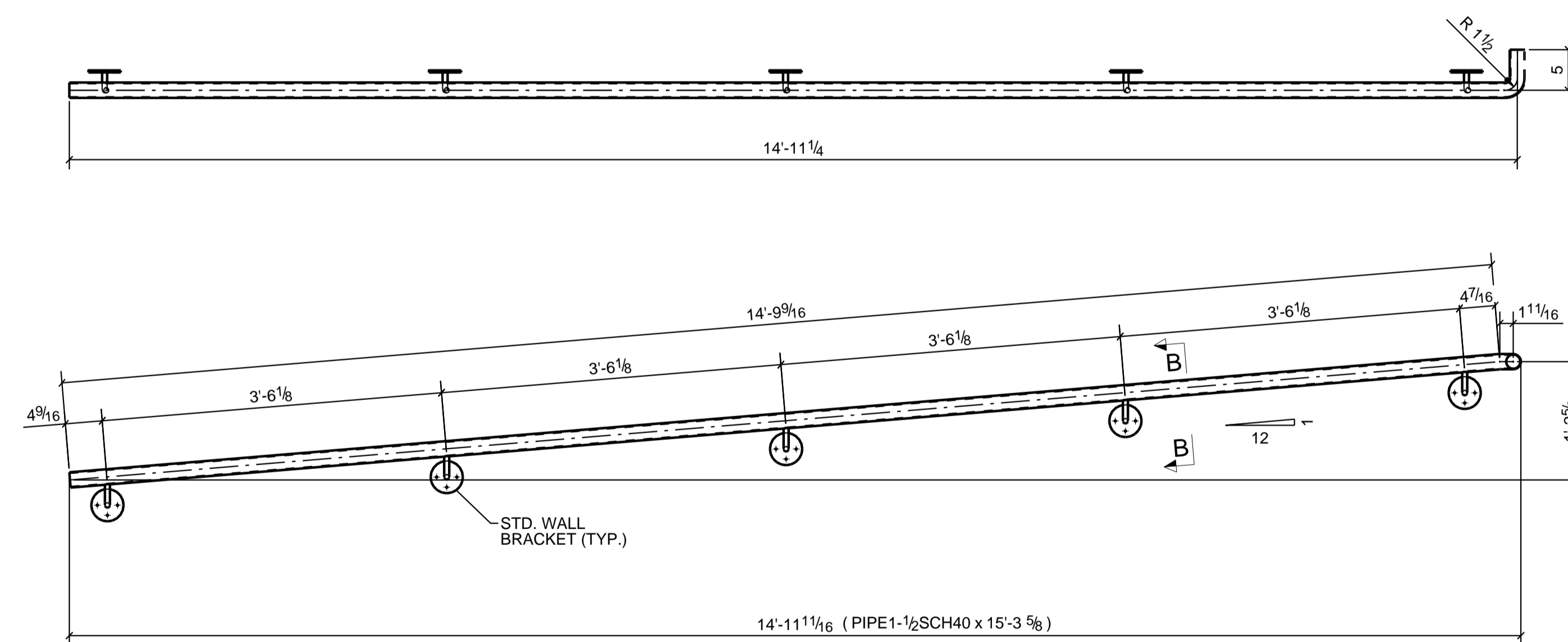
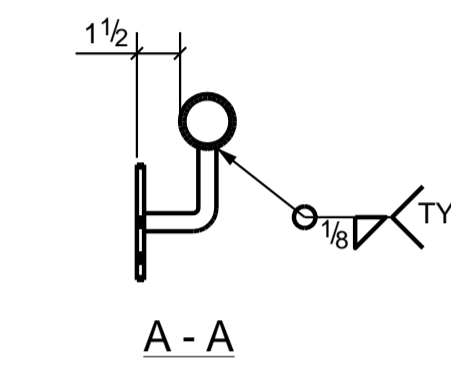


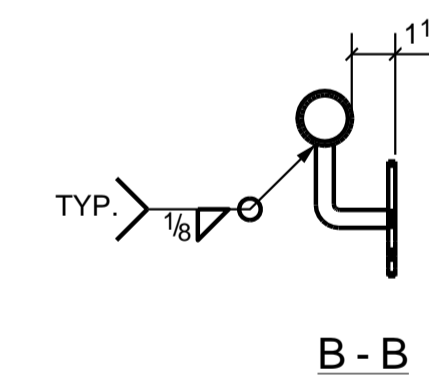
JOB No.		8598		BILL OF MATERIAL			SHEET 636	
Qty.	Qty.	PC.	Minor	DESCRIPTION	LENGTH	STEEL	REMARKS	
Unit	Total	MARK	Mark			GRADE		
1	1	636A		PIPE 1-1/2 SCH 40	21'-1 3/4"	A500-GR.B		
6	6			STD WALL BRACKET				
1	1		f637	PL 1/4" X 3 15/16"	3 15/16"	A36		
1	1	636B		PIPE 1-1/2 SCH 40	15'-3 5/8"	A500-GR.B		
5	5			STD WALL BRACKET				



ONE - HANDRAIL - 636A



ONE - HANDRAIL - 636B



SAMPLE DRAWING