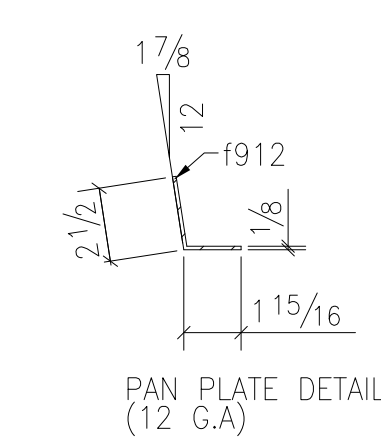
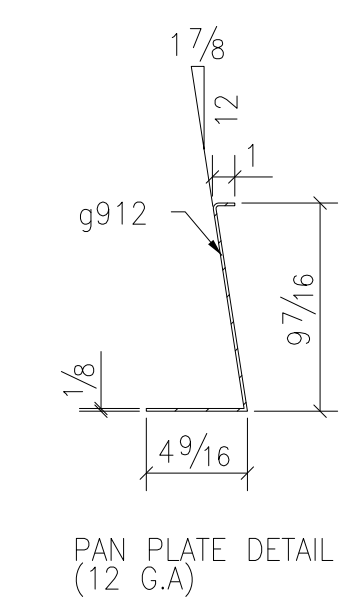
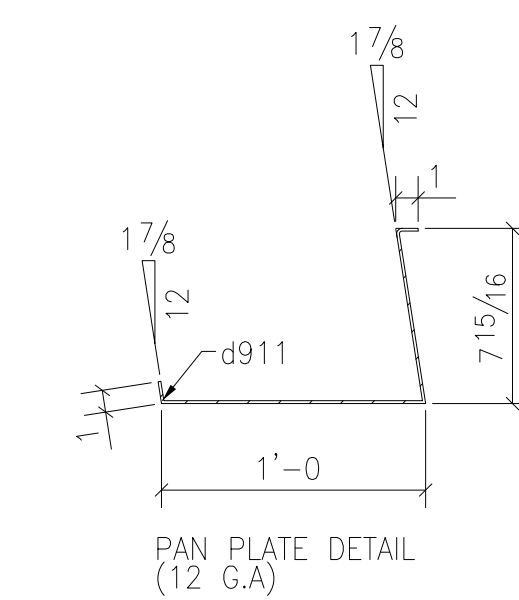
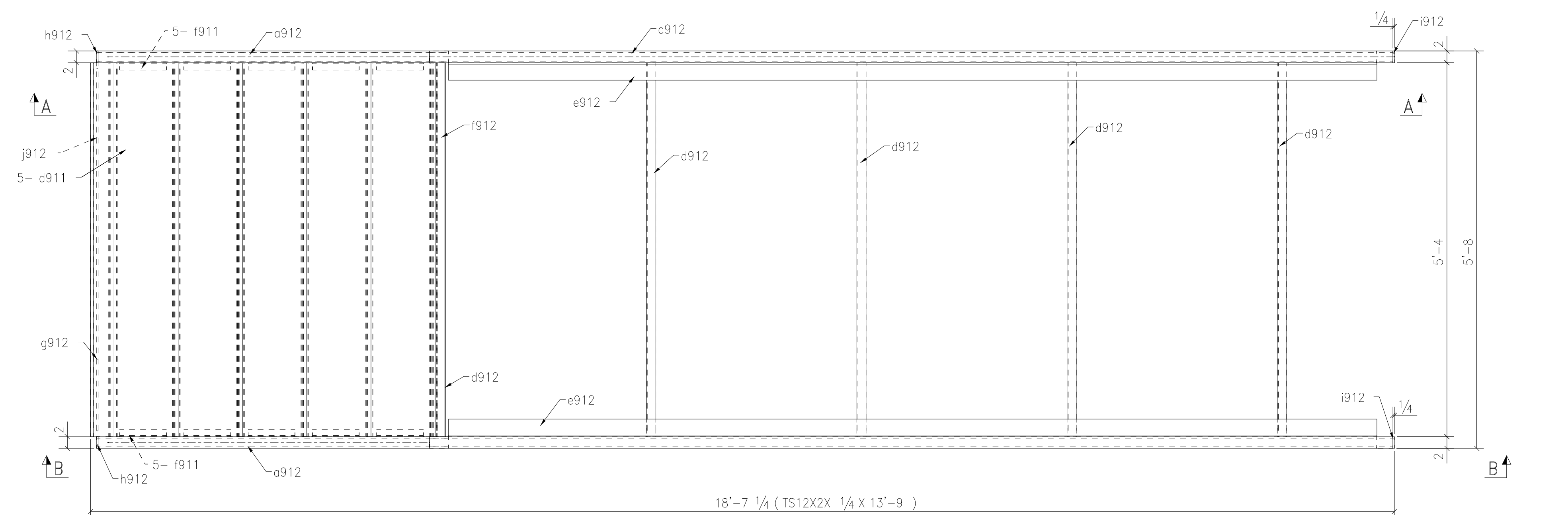
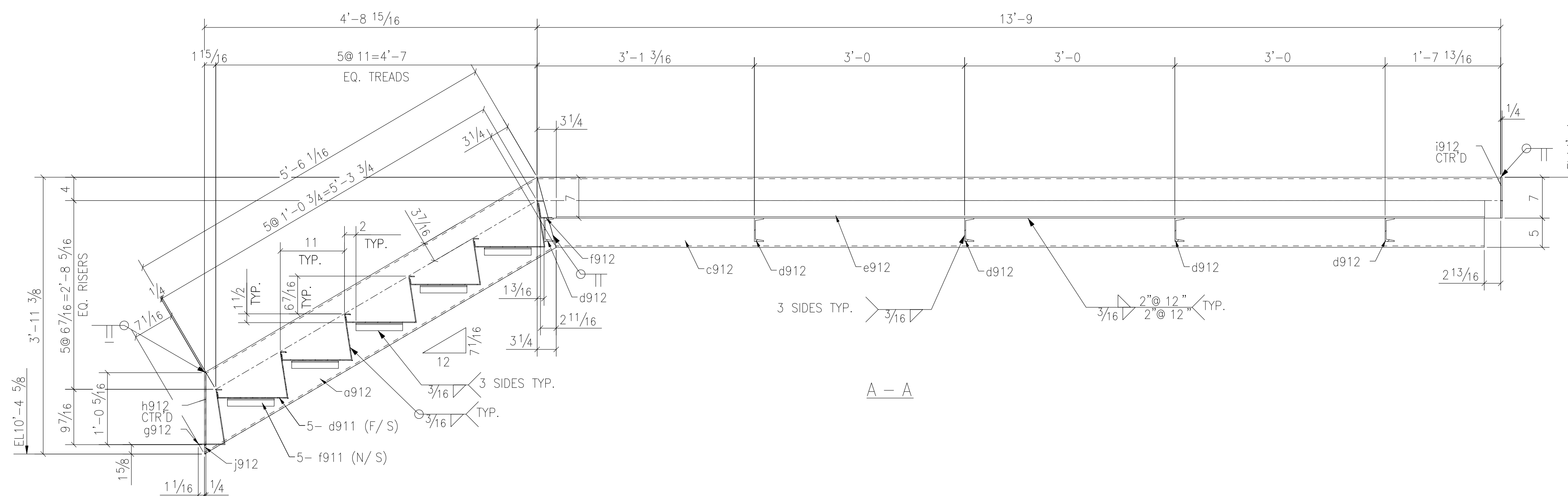
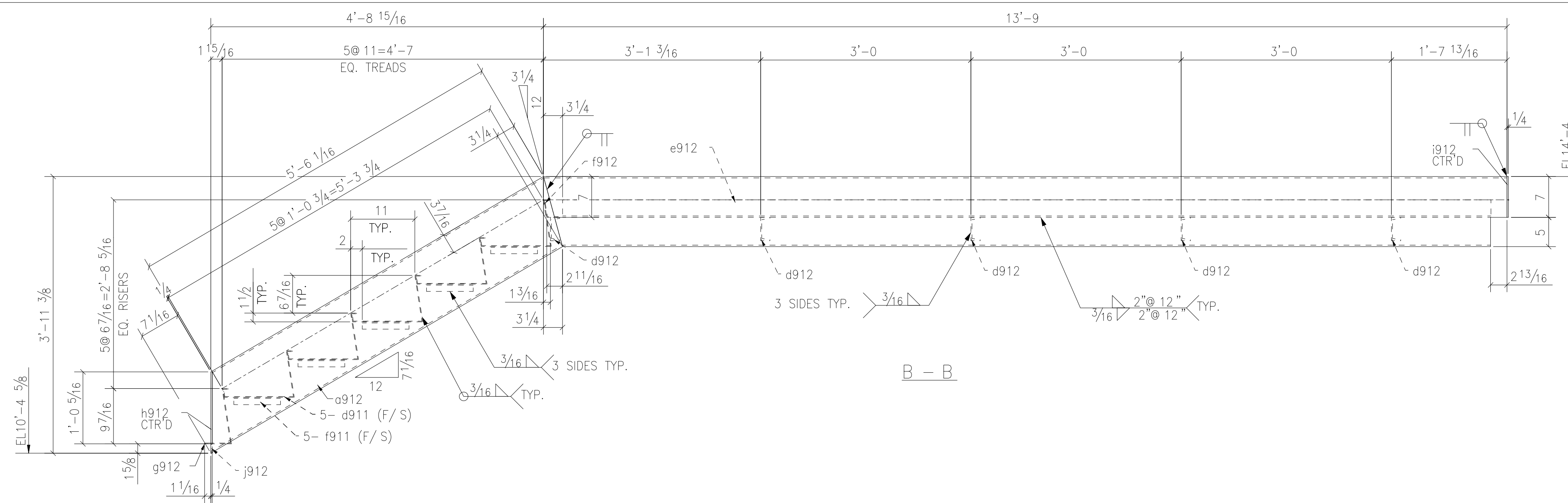


JOB No.		8408		BILL OF MATERIAL			SHEET 912	
Qty.	Qty.	PC.	Minor	DESCRIPTION	LENGTH	STEEL	REMARKS	
Unit	Total	MARK	Mark			GRADE		
1	1	912A		TS12X2X1/4	13'-9"	A500-GR.B		
2	2		a912	TS12X2X1/4	6'-1 1/8"	A500-GR.B		
1	1		c912	TS12X2X1/4	13'-9"	A500-GR.B		
5	5		d911	12G.A PAN PLATE	5'-4"			
5	5		d912	C4X5.4	5'-4"	A36		
2	2		e912	L3X3X1/4	13'-2 15/16"	A36		
10	10		f911	L1-1/4X1-1/4X3/16	8"	A36		
1	1		f912	12G.A PAN PLATE	5'-4"			
1	1		g912	12G.A PAN PLATE	5'-4"			
2	2		h912	FL1/4"X2"	1'-0 9/16"	A36		
2	2		i912	FL1/4"X2"	7"	A36		
1	1		j912	FL1/4"X1 1/2"	5'-4"	A36		



SAMPLE DRAWING

**ONE - STAIR - 912A**