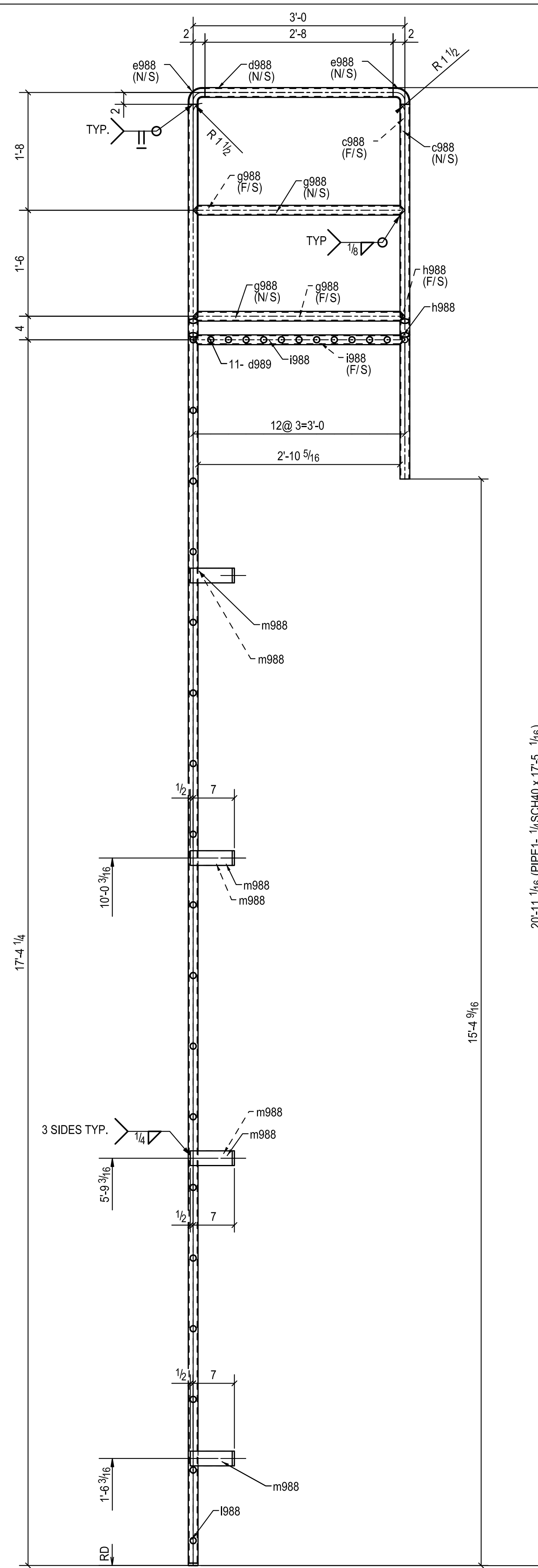
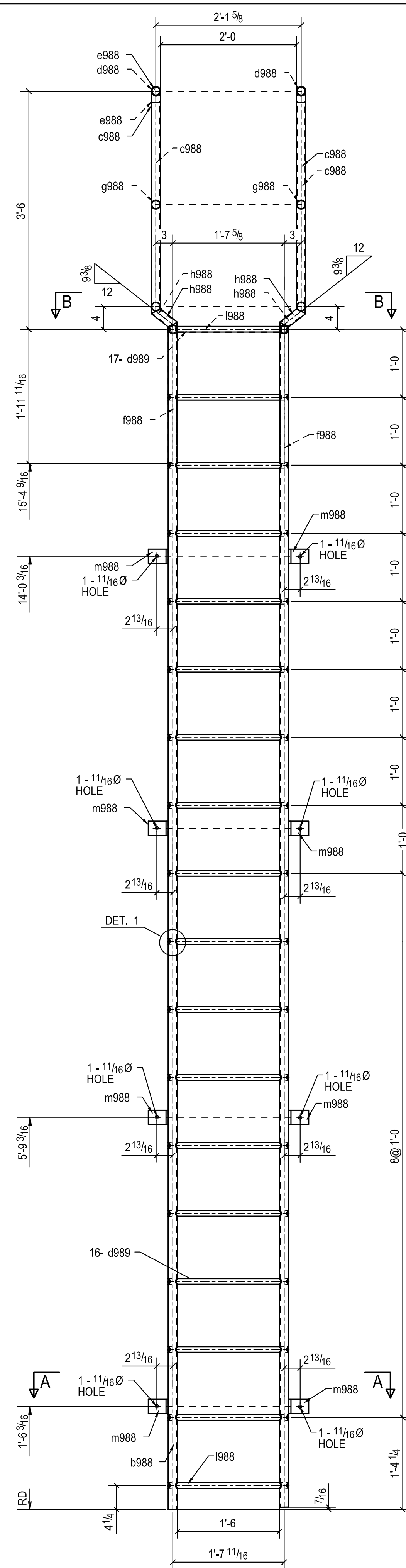
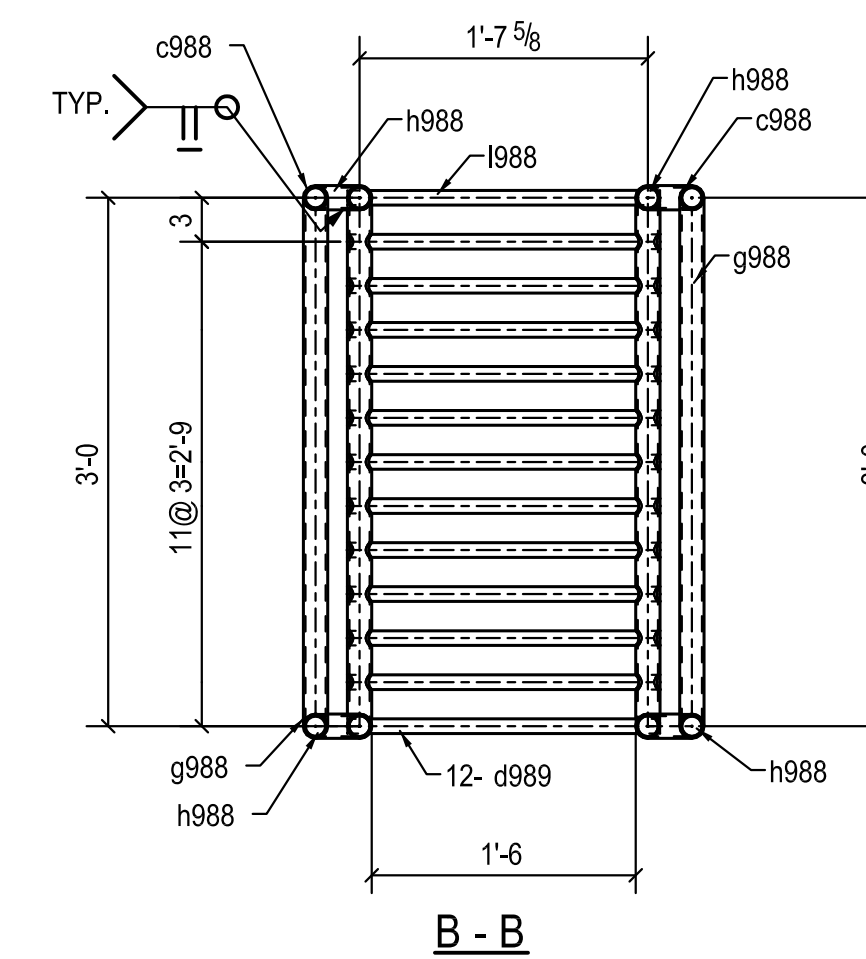
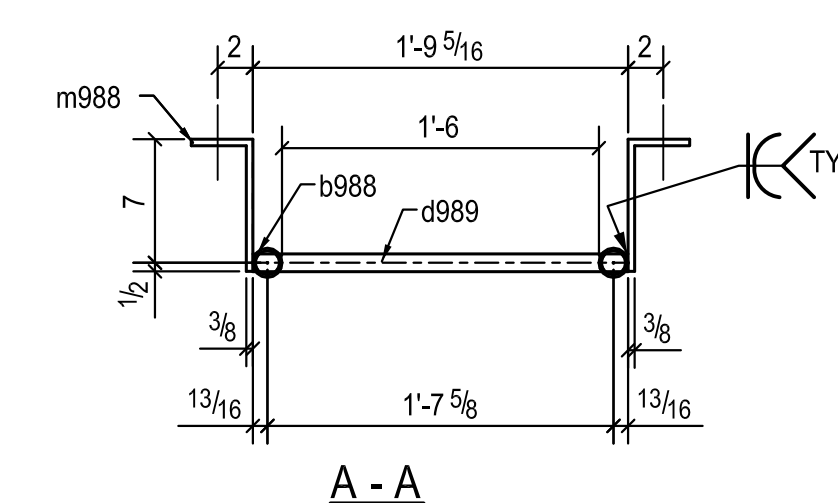
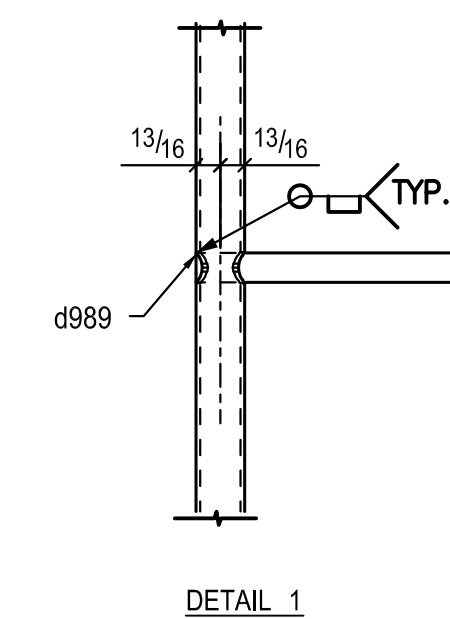


JOB No.		8423		BILL OF MATERIAL			SHEET		988	
Qty.	Unit	PC.	MARK	Minor	DESCRIPTION	LENGTH	STEEL	GRADE	REMARKS	
1	1	988A			PIPE-1/4SCH40	17'-5 1/16"	A53			
1	1		b988		PIPE-1/4SCH40	17'-5 1/2"	A53			
4	4		c988		PIPE-1/4SCH40	3'-1 1/4"	A53			
2	2		d988		PIPE-1/4SCH40	2'-8"	A53			
28	28		d989		ROD 1"	1'-9 5/16"	A36			
4	4		e988		PIPE-1/4SCH40	3 3/8"	A53			
2	2		f988		PIPE-1/4SCH40	2'-0 7/8"	A53			
4	4		g988		PIPE-1/4SCH40	3'-0"	A53			
4	4		h988		PIPE-1/4SCH40	4 5/8"	A53			
2	2		i988		PIPE-1/4SCH40	3'-0"	A53			
2	2		j988		ROD 1"	1'-9 5/16"	A36			
8	8		m988		FL3/8"X2 1/2"	10 1/4"	A36			



ONE - LADDER - 988A  
(GALV.)



SAMPLE DRAWING