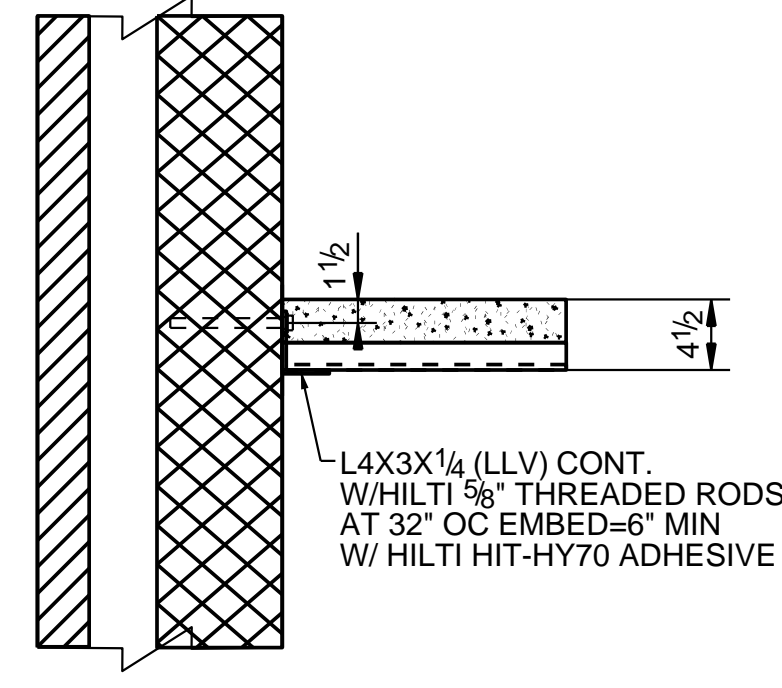
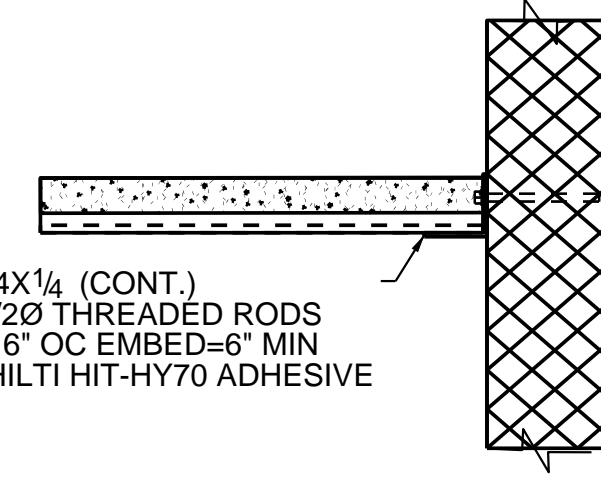


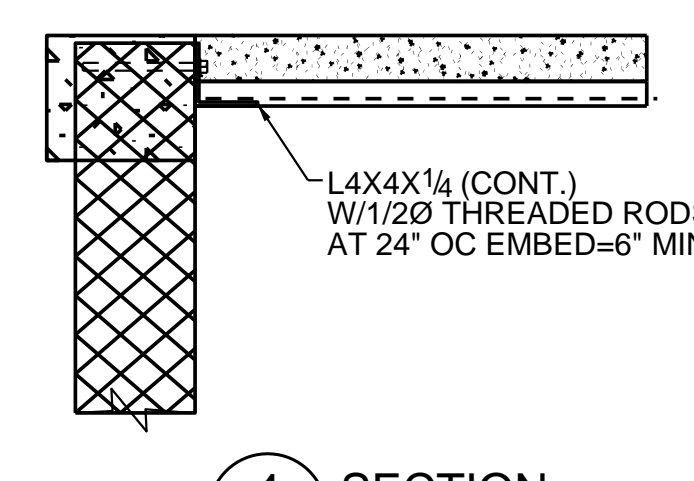
1 SECTION
E10 (REF:-201/S400)



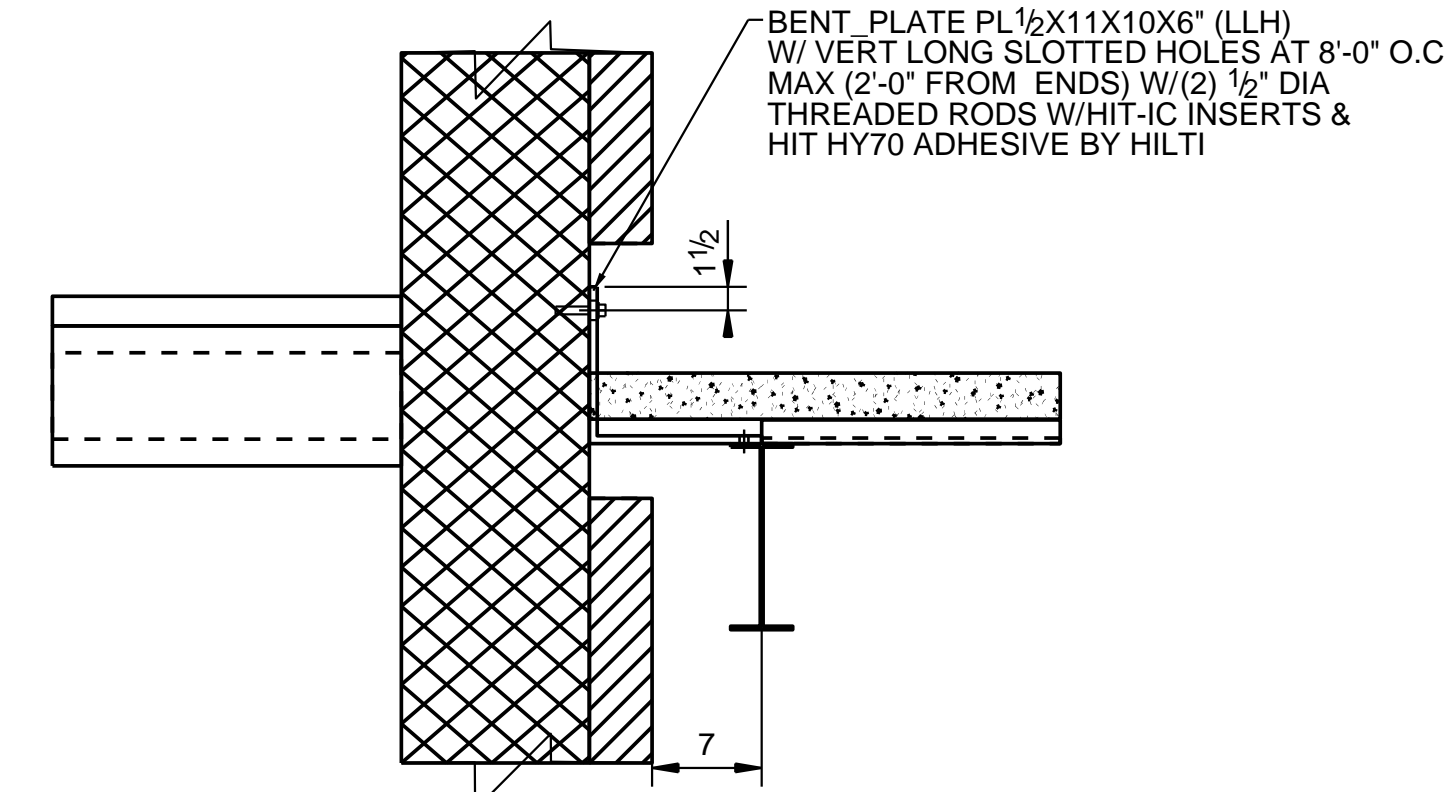
2 SECTION
E10 (REF:-200/S400)



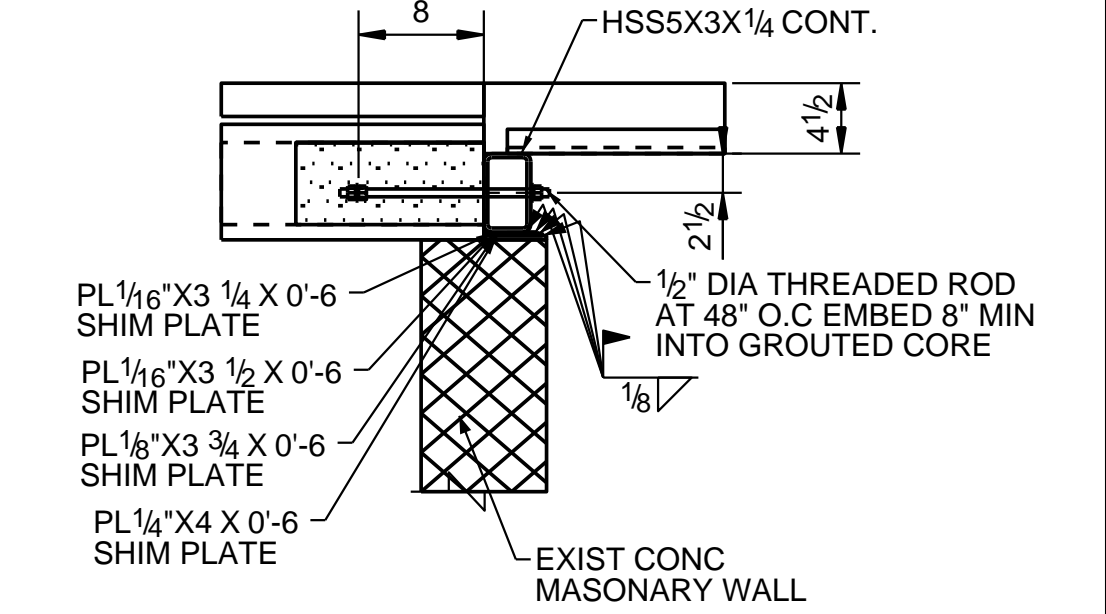
3 SECTION
E10 (REF:-208/S400)



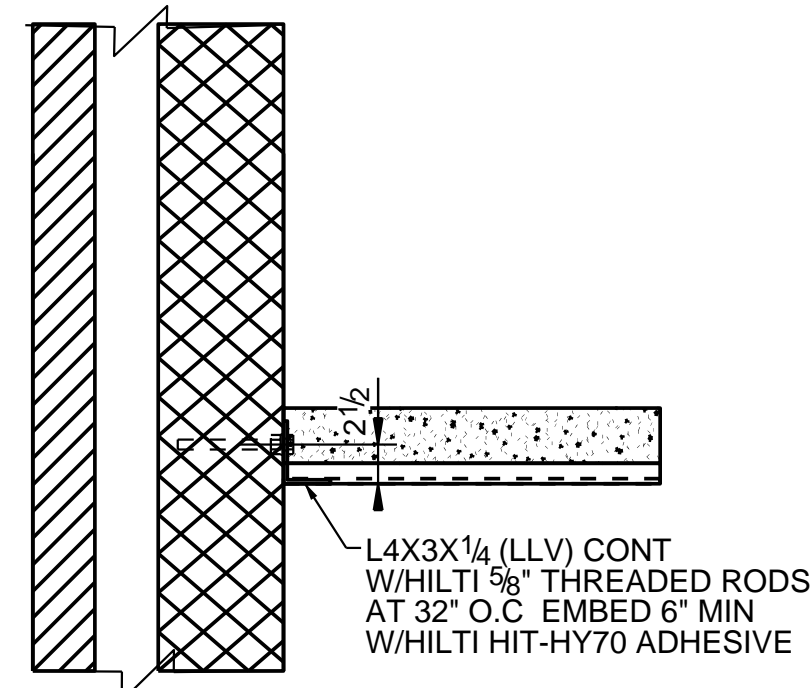
4 SECTION
E10 (REF:-204/S400)



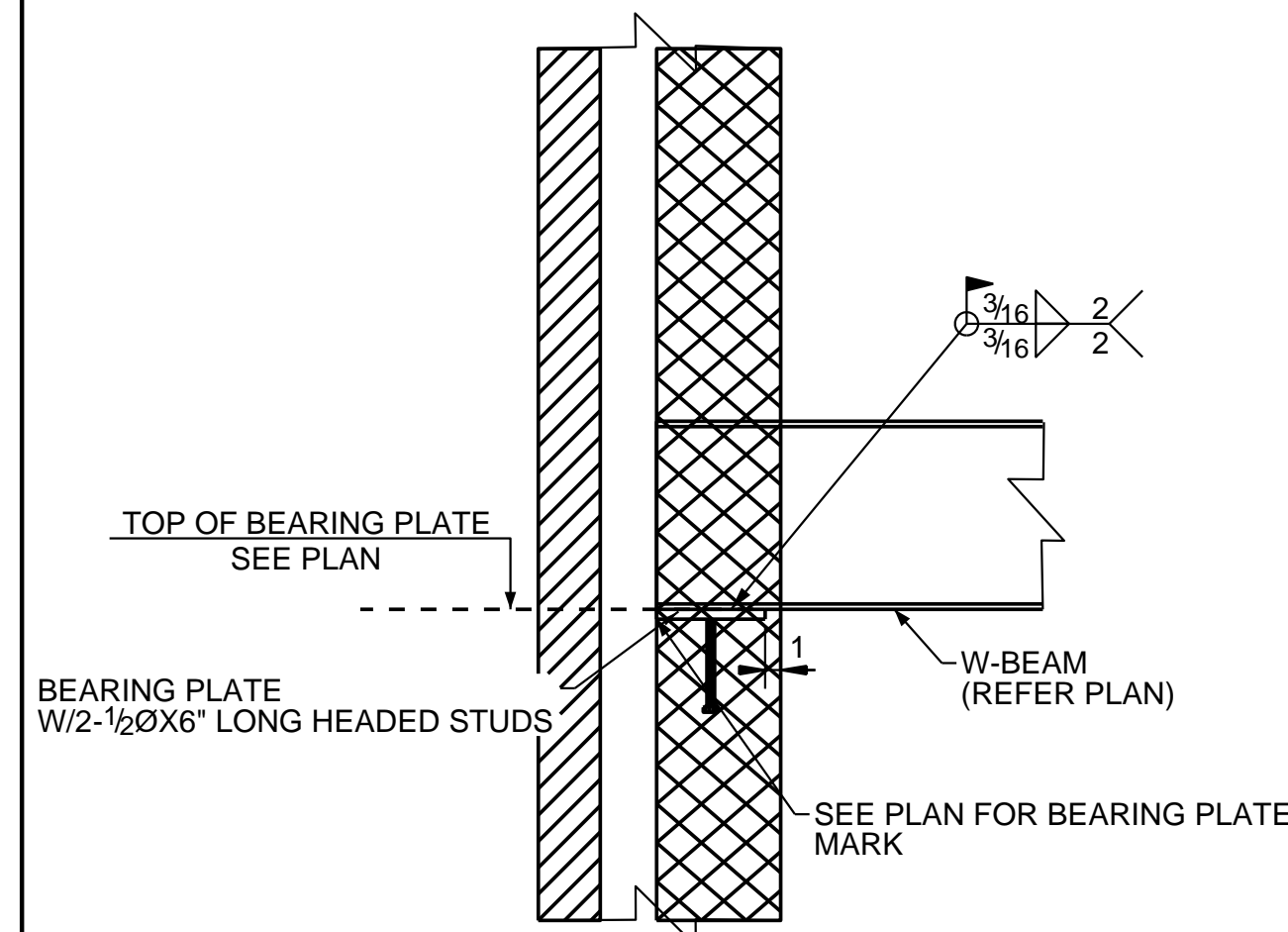
5 SECTION
E10 (REF:-205/S400)



6 SECTION
E10 (REF:-206/S400)

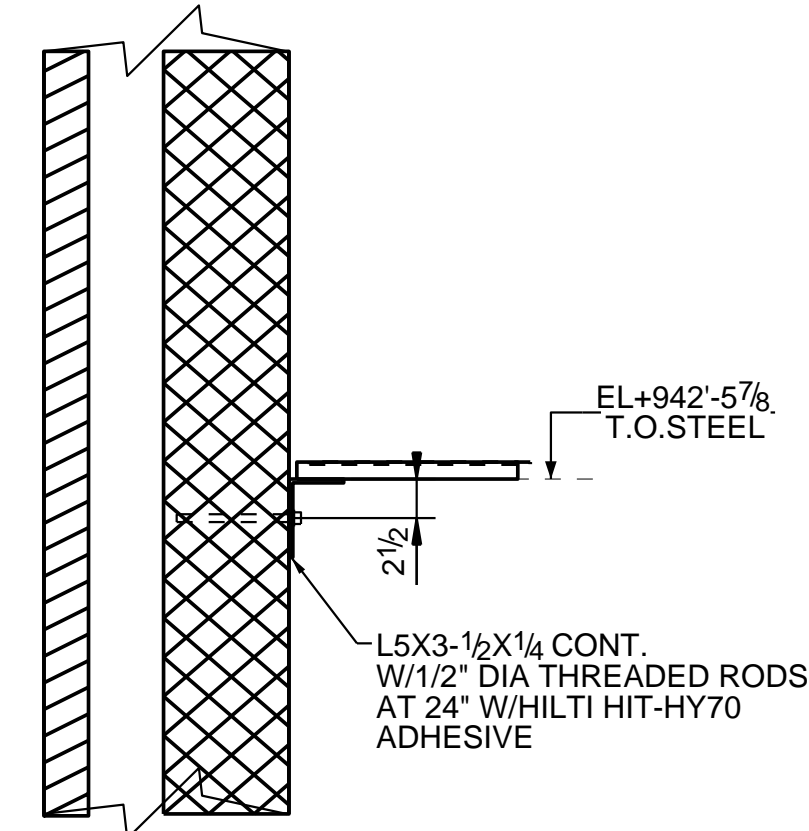


7 SECTION
E10 (REF:-200/S400)

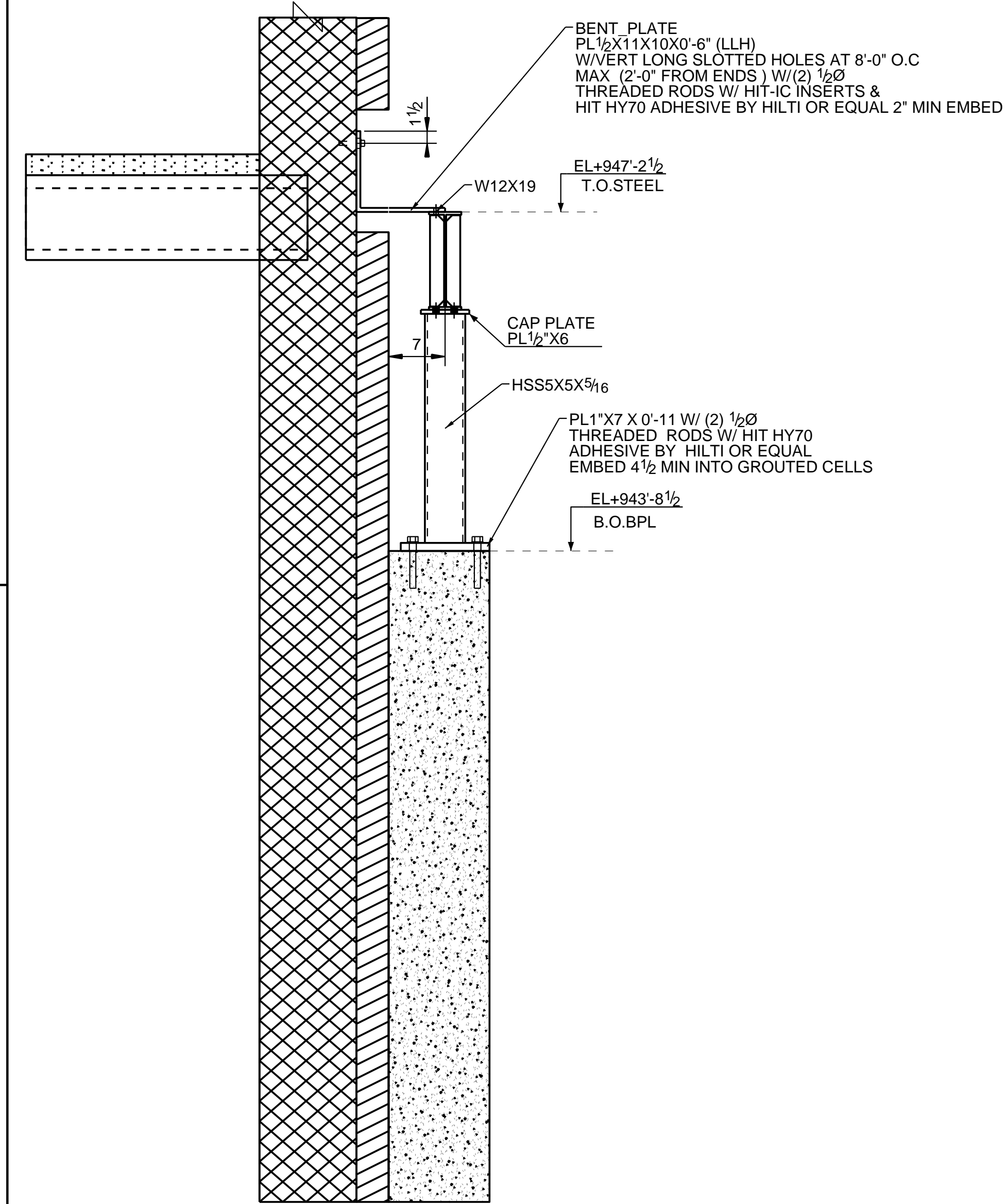


8 SECTION
E10 (REF:-S203)

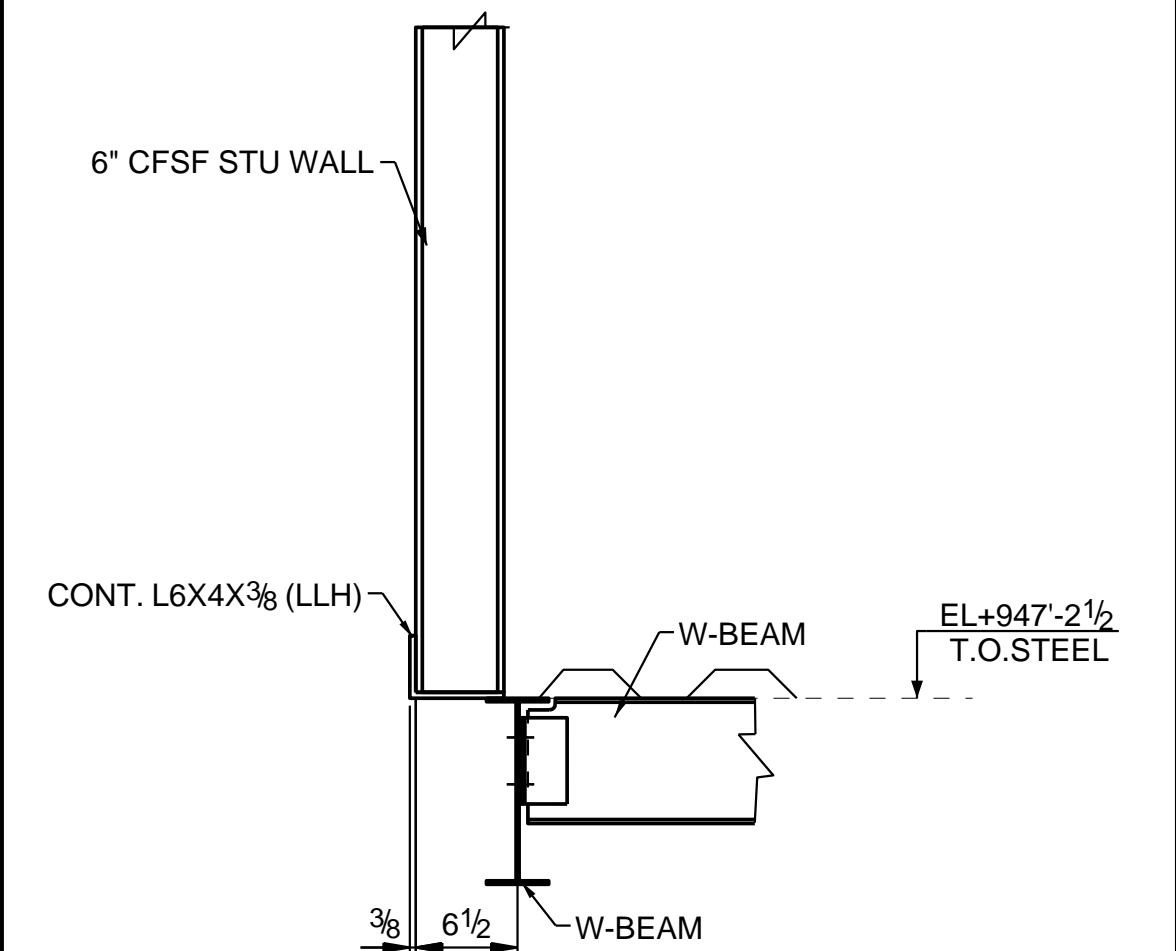
TYPICAL STEEL BEAM BEARING ON MASONRY WALL DETAIL



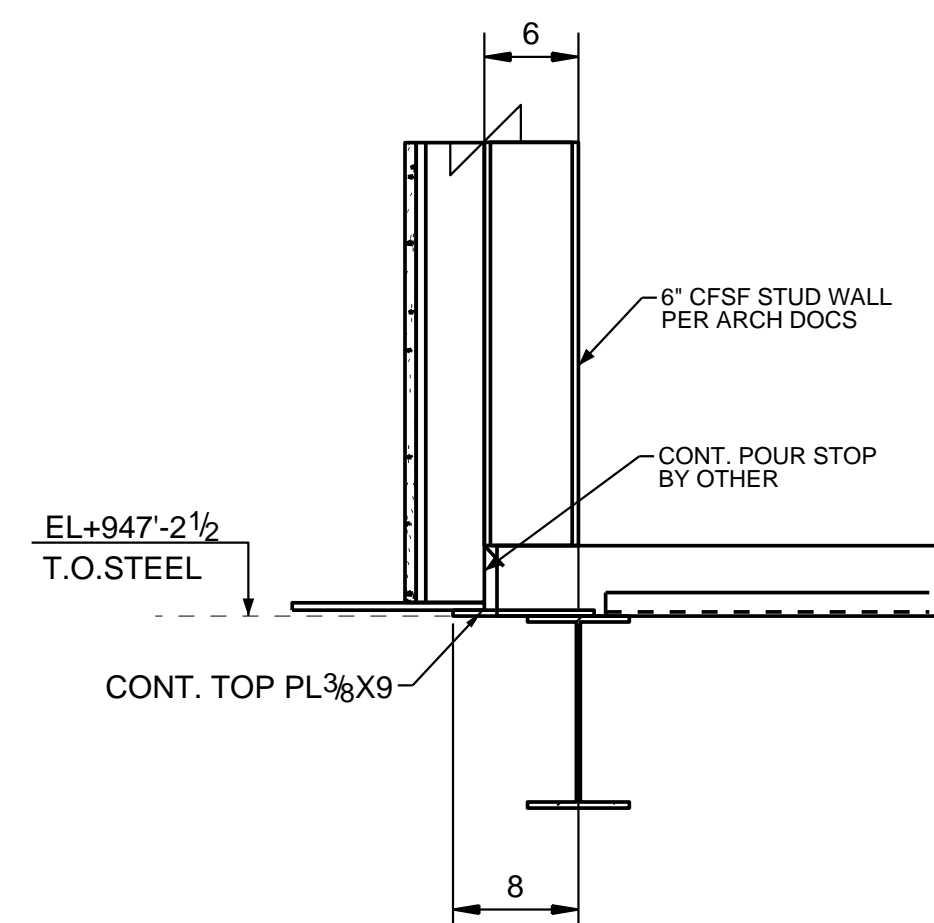
9 SECTION
E10 (REF:-300/S500)



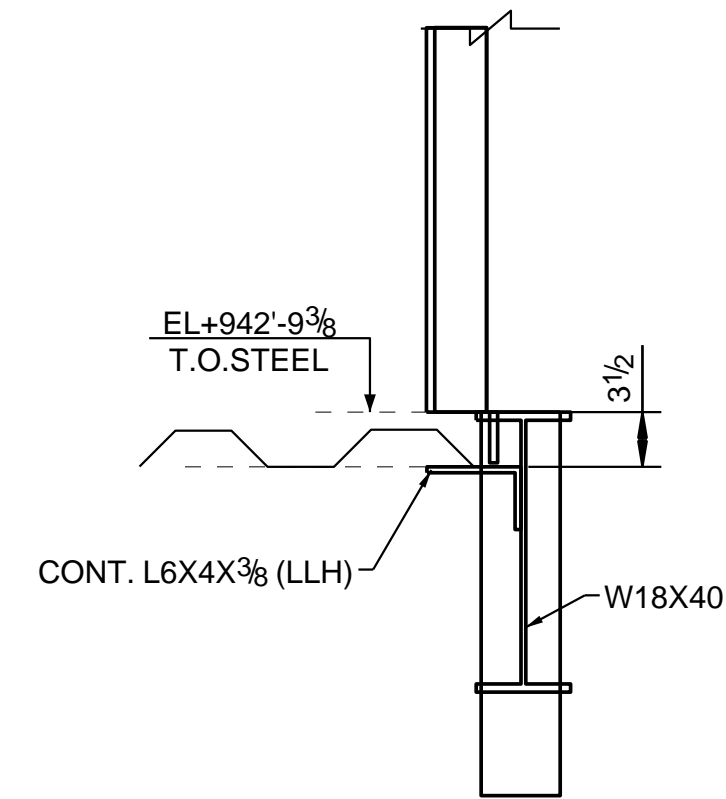
10 SECTION
E10 (REF:-301/S500)



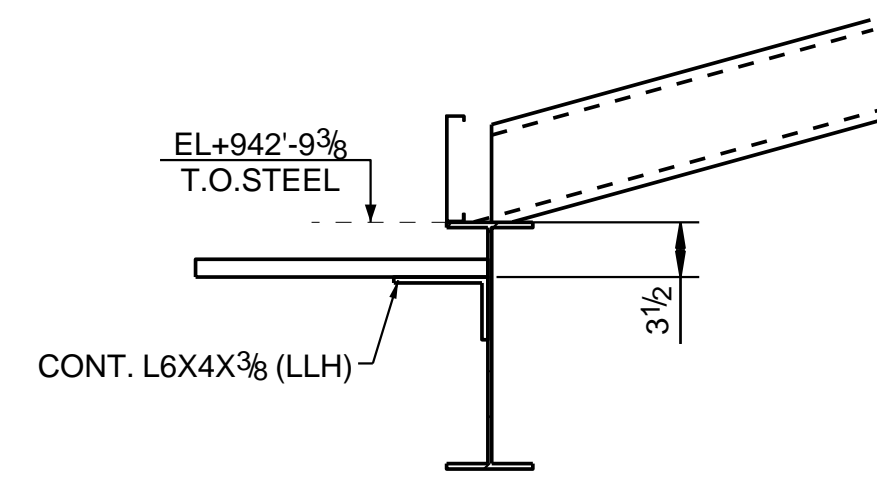
11 SECTION
E10 (REF:-313/S501)



12 SECTION
E10 (REF:-212/S400)



13 SECTION
E10 (REF:-307/S500)



14 SECTION
E10 (REF:-304/S500)

NOTES:-
1. REFER TO SHEET NO. E1 FOR STANDARD NOTES.

NOTES

1. OPEN HOLES 13/16" UNLESS NOTED
2. ALL EDGE DISTANCES ARE 1" UNLESS NOTED.
3. SHOP PAINT - 1 S/C T NEMEC U.N.O.
4. CLEANING SPEC. = SSPC-SP3
5. ALL WELDS E70XX
- 6.

PRINT RECORD

DATE	NO.	USE
05/15/2017	0	APP.
09/22/2016	A	FIN. APP.
11/17/2016	B	SHOP
		FIELD
		ERECTOR

REVISIONS

DATE	BY	DESCRIPTION
05/15/2017	GM	ISSUED FOR FIELD USE
09/29/2016	RD	ISSUED FOR APPROVAL
11/17/2016	GM	ISSUED FOR APPROVAL

STRUCTURAL STEEL SHAPES: ASTM A992
STEEL ANCHOR RODS: ASTM F1554 GRADE 36
STEEL PLATES AND ANGLES: ASTM A36 GRADE 36
ALL STRUCTURAL STEEL TUBES: ASTM A500 GRADE B
ALL STRUCTURAL STEEL PIPES: ASTM A53 GRADE B
ALL STRUCTURAL ANCHOR BOLT: ASTM F1554 GRADE 36