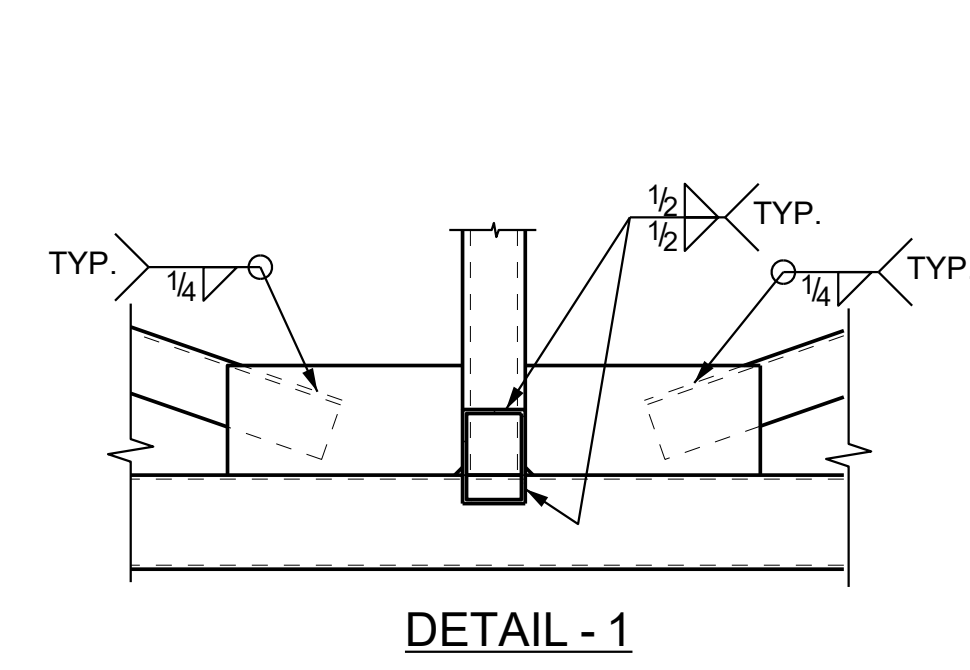
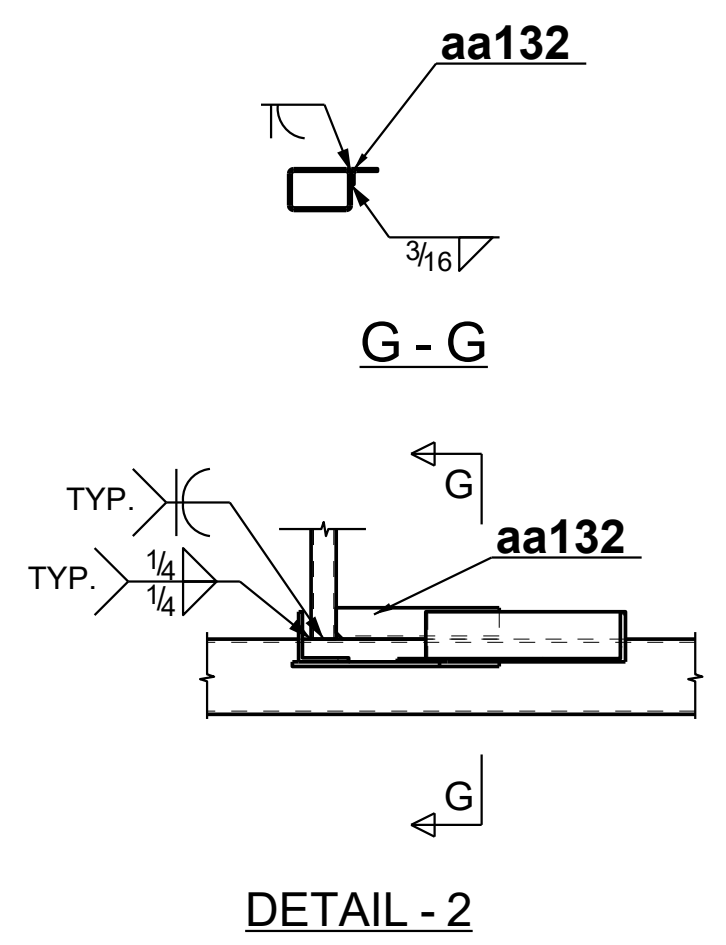


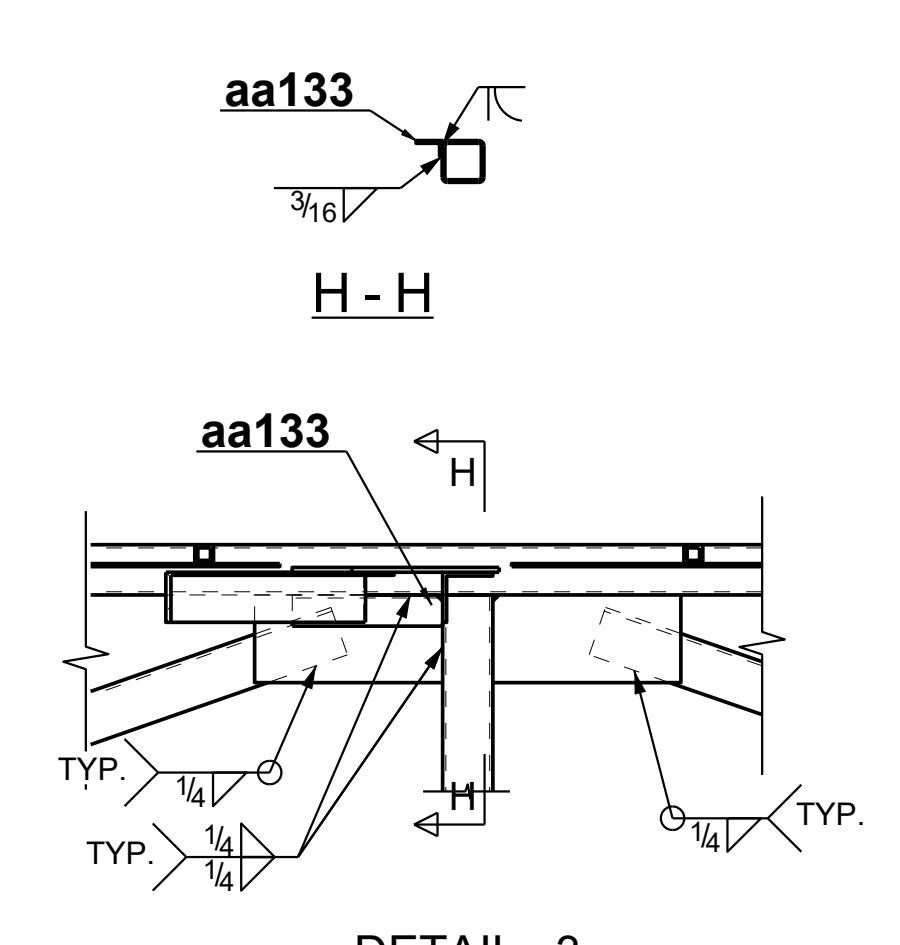
C - C



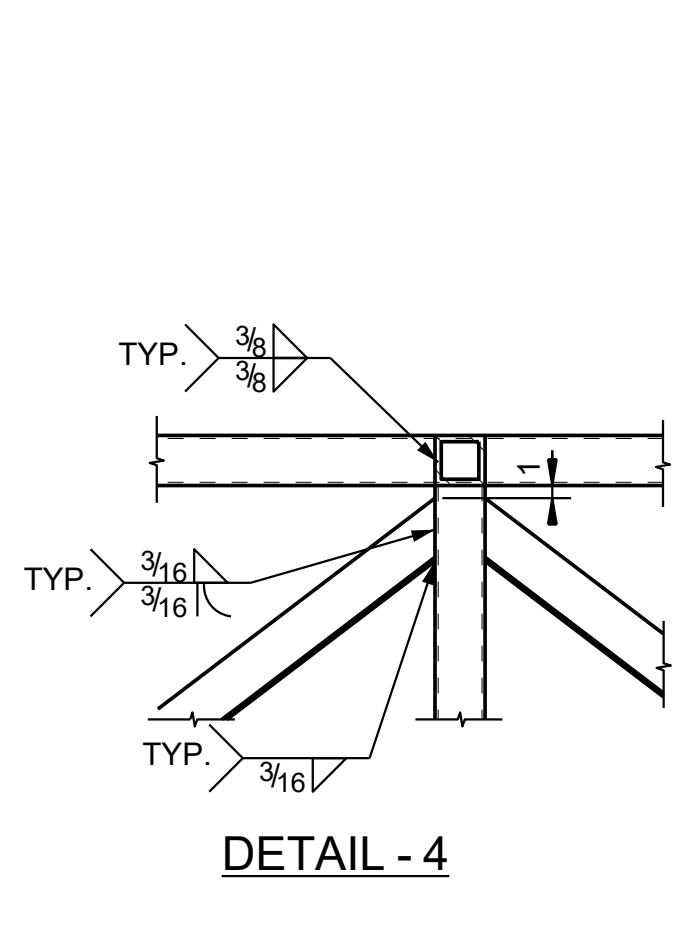
DETAIL - 1



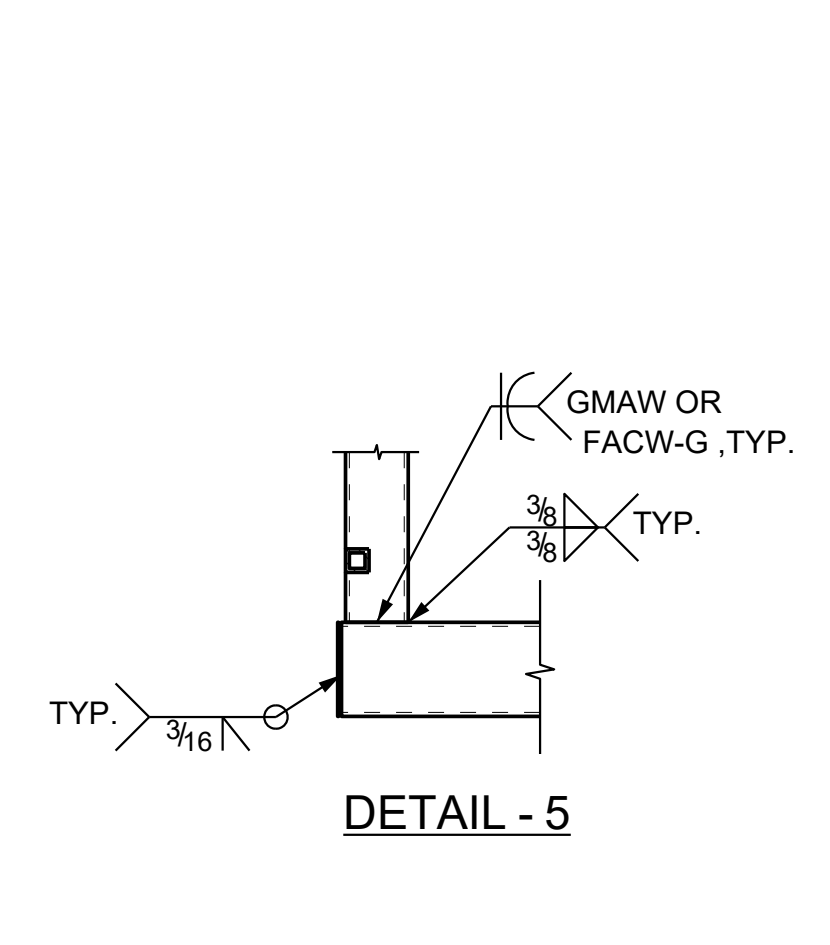
DETAIL - 2



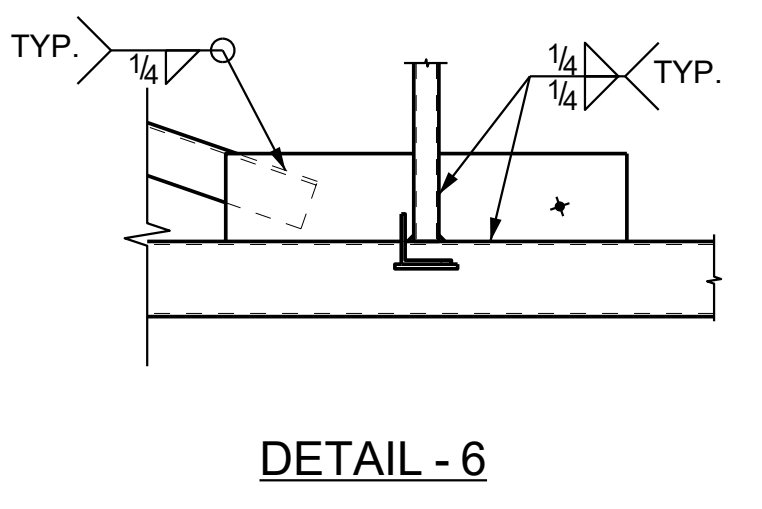
DETAIL - 3



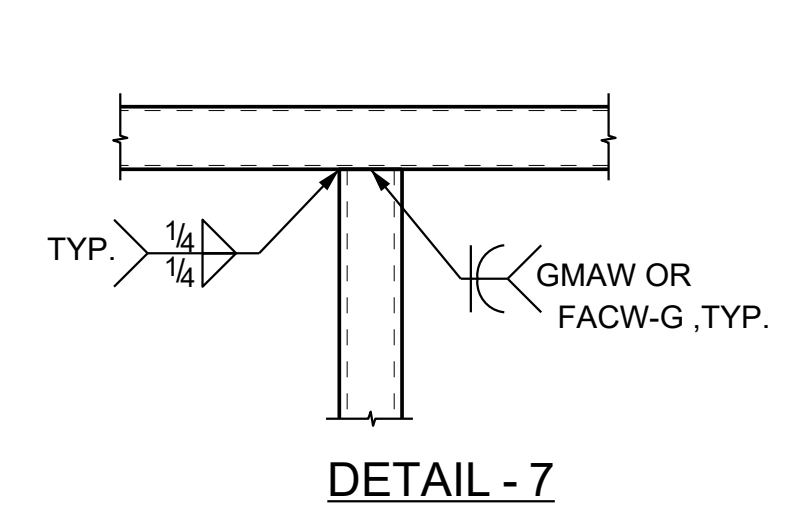
DETAIL - 4



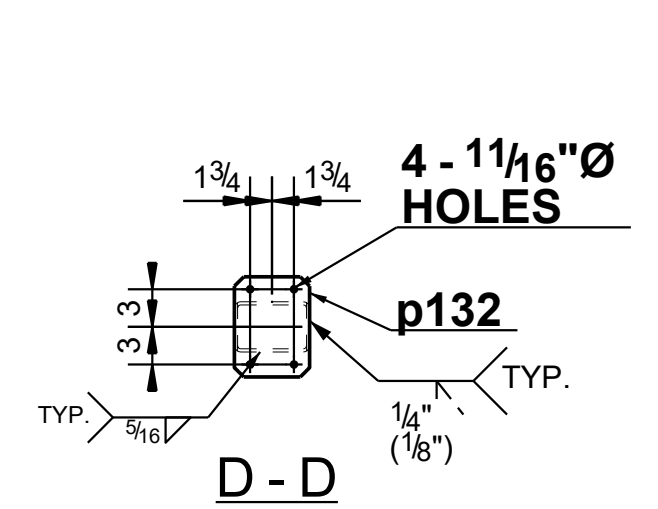
DETAIL - 5



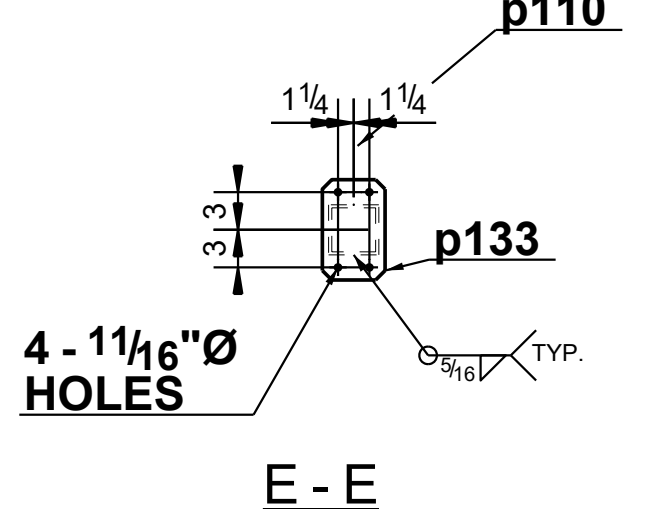
DETAIL - 6



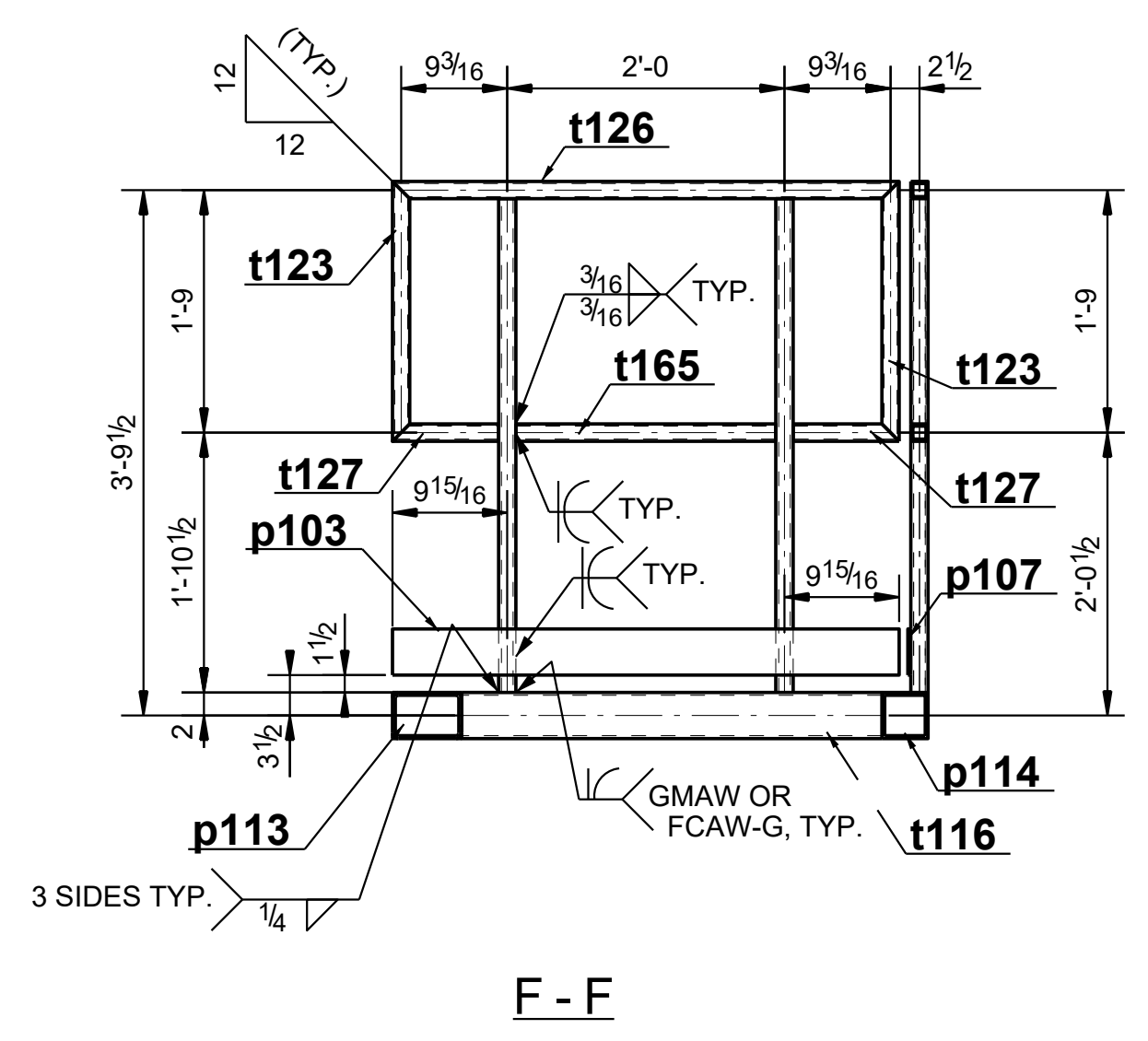
DETAIL - 7



D - D



E - E



F - F

THIS DRAWING WORK WITH DRAWING FR101.

DRAWING FR101-1